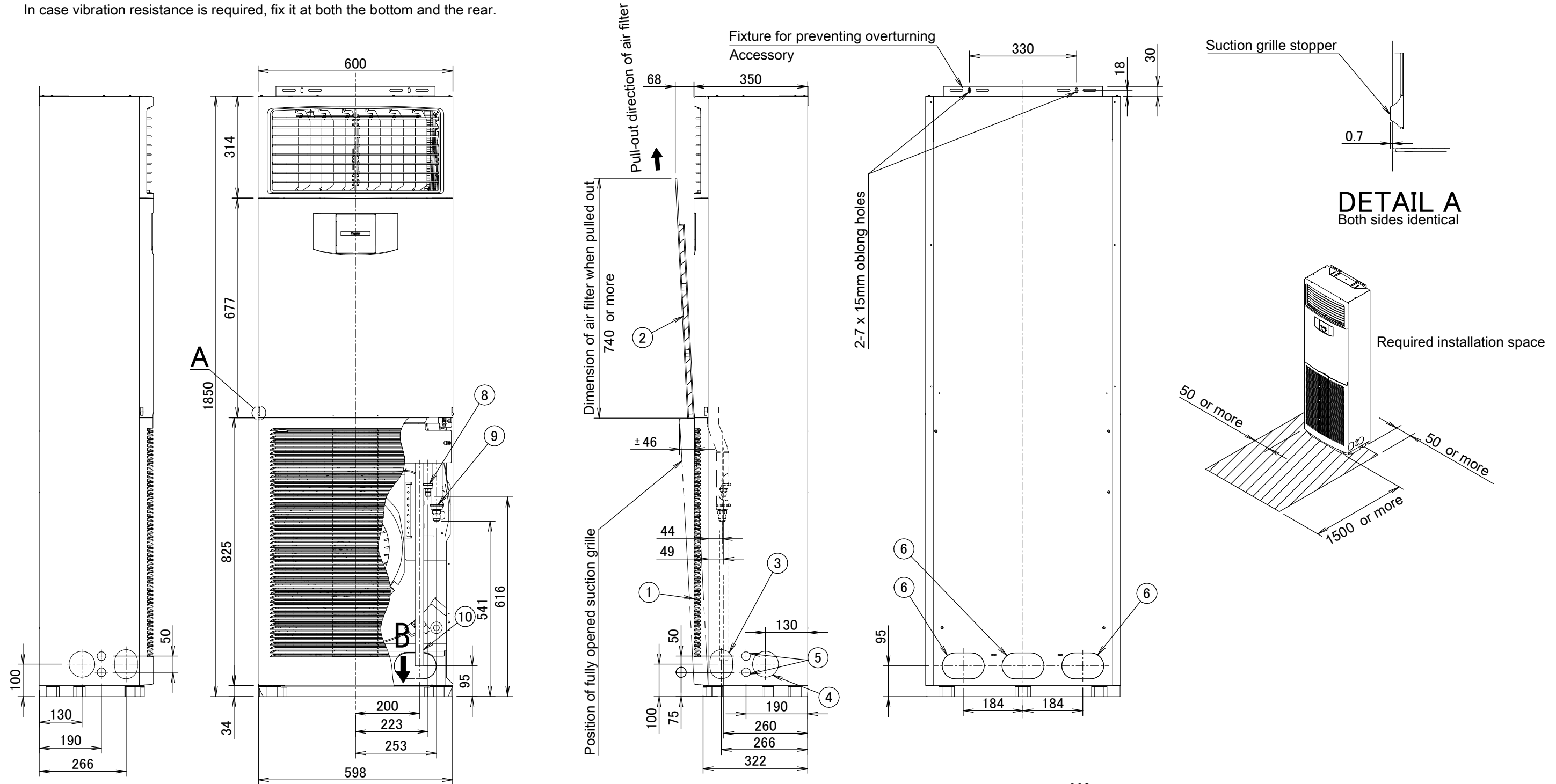


# FVA100-140A

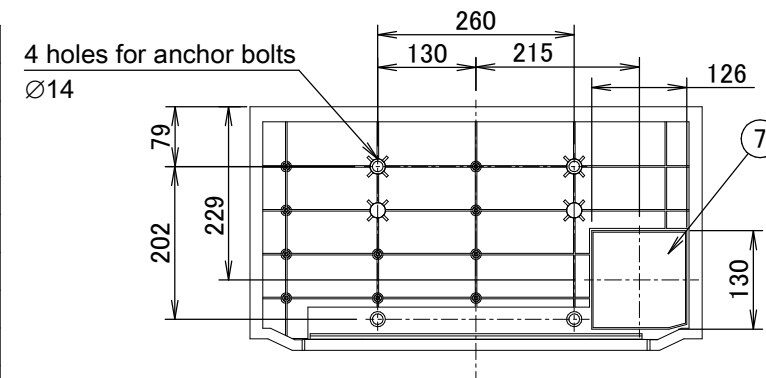
This unit has to be fixed with fixing screws as shown below.

In case of fixing it at the bottom

In case vibration resistance is required, fix it at both the bottom and the rear.



Item	Part name	Remark
1	Air suction grille	
2	Air filter	
3	Hole for piping	70 x 90mm oblong holes
4	Hole for piping	Knockout hole for recirculation piping or wiring of optional equipment $\varnothing 80$
5	Hole for piping	Knockout hole for recirculation piping or wiring of optional equipment $\varnothing 27$
6	Piping hole (rear)	80 x 130mm oblong holes
7	Piping hole (bottom)	126 x 130mm oblong holes
8	Liquid pipe	$\varnothing 9.5$ flared connection
9	Gas pipe	$\varnothing 15.9$ flared connection
10	Drain pipe connection	VP20



**VIEW B**

## Notes

The unit nameplate is located on the switch box cover, inside the suction grille.

**3D110703**