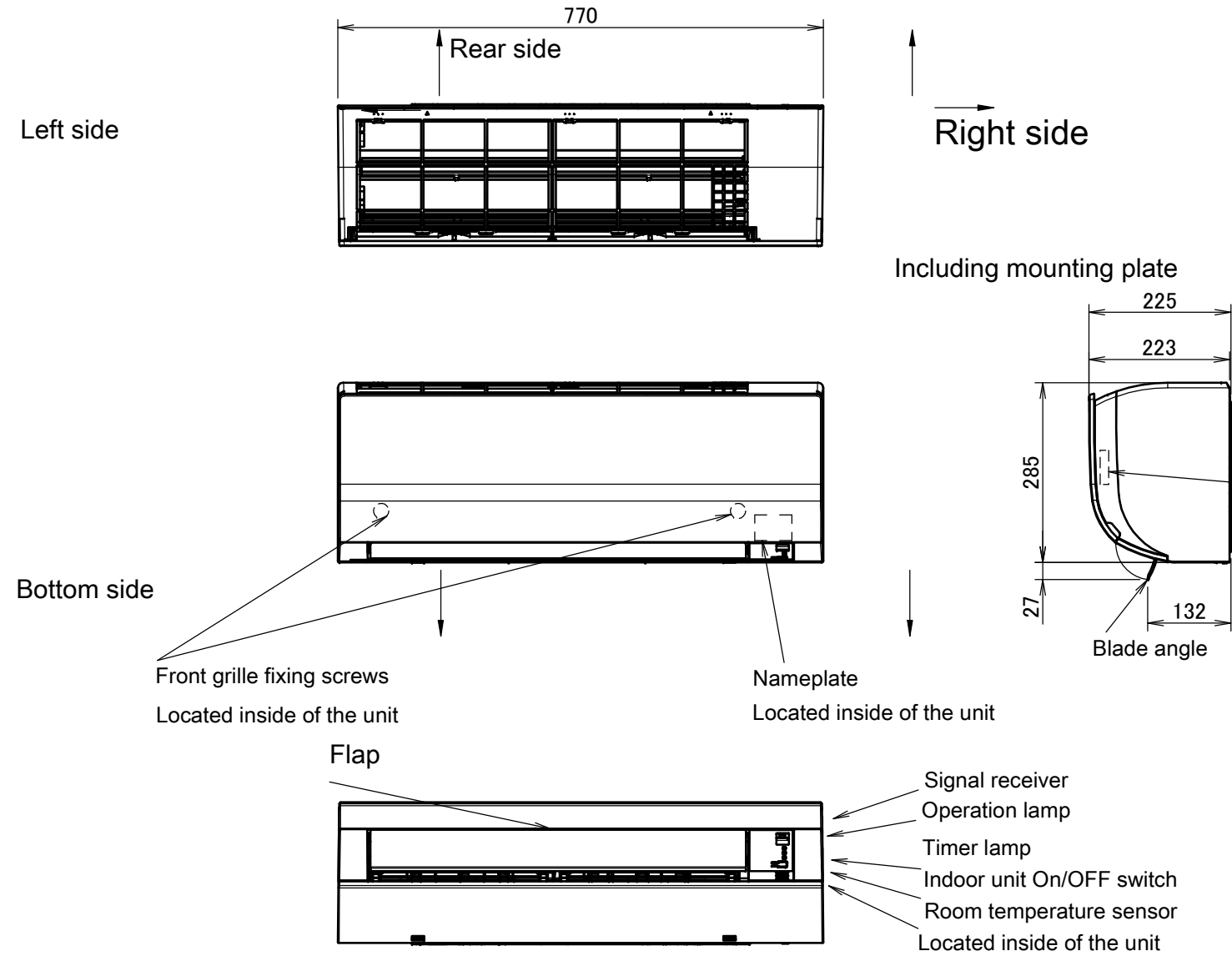


FTXP20-35M

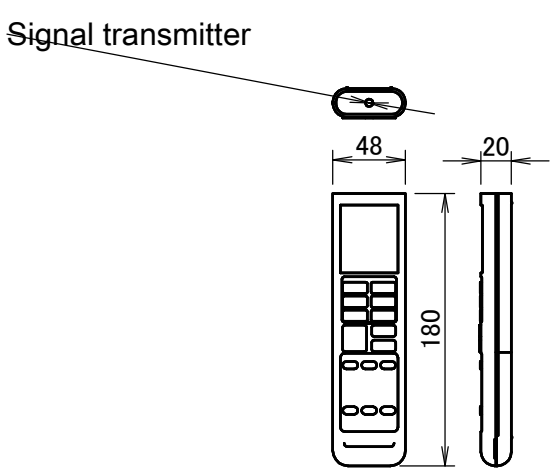
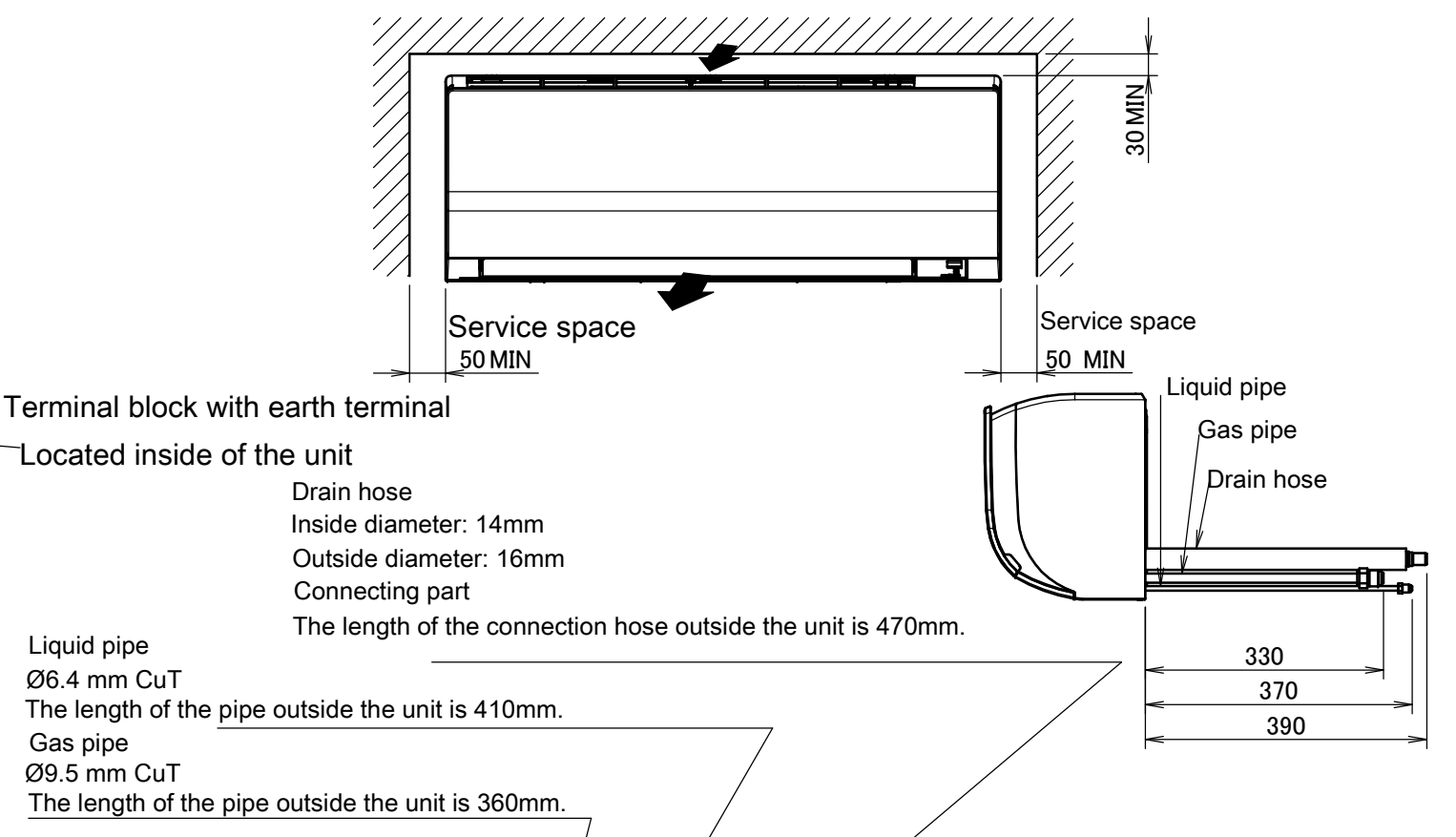
Required space for service and ventilation

The → mark shows the piping direction.

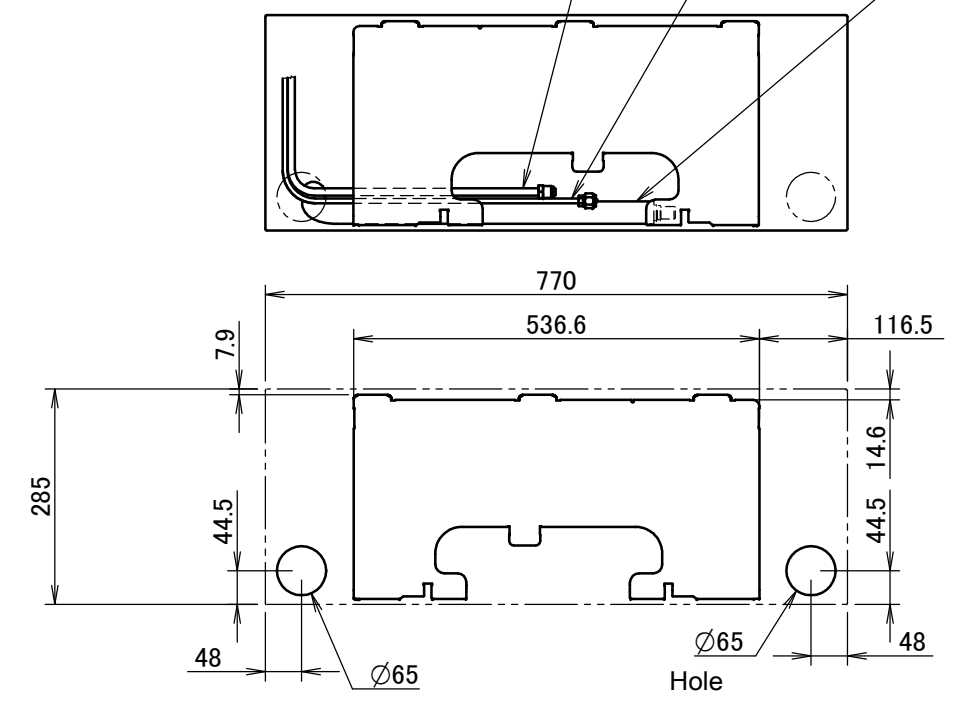
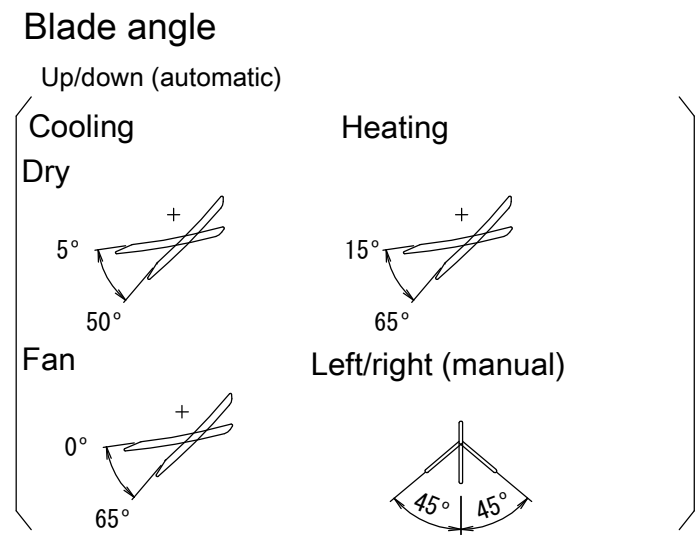


Indoor air flow

Minimum space for air passage



Wireless remote control



Hole for embedded piping

Standard location of holes in the wall

(ARC480A11)

3D098287B