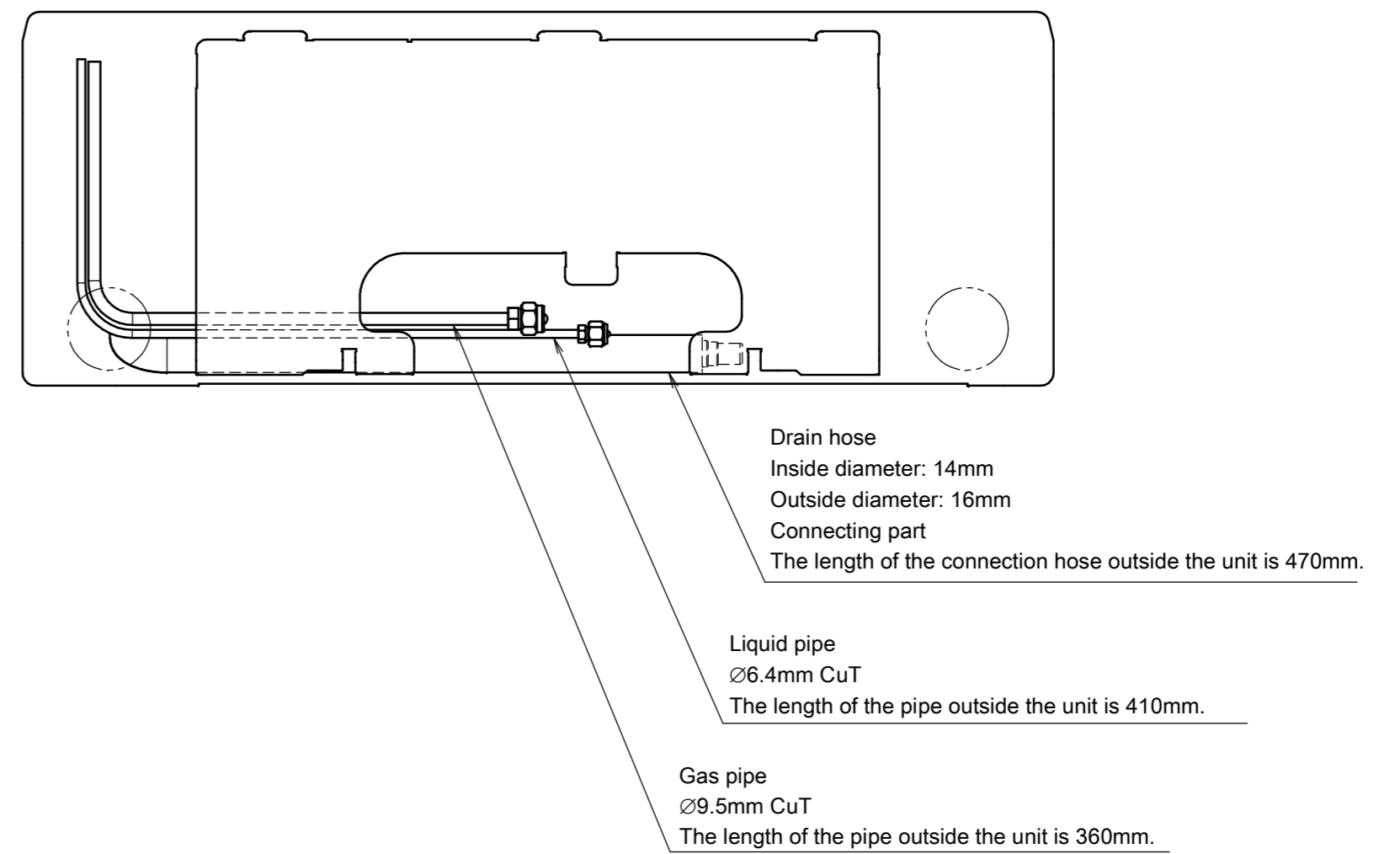
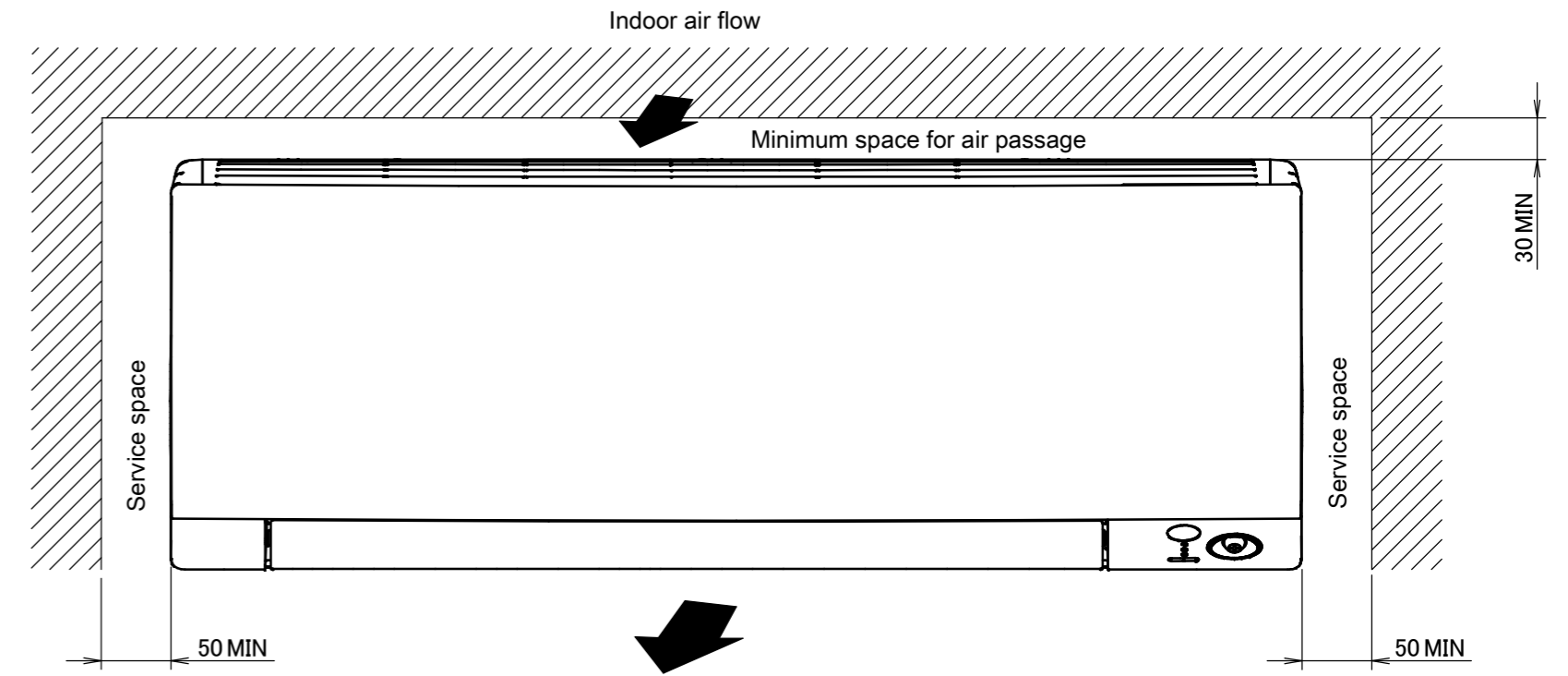
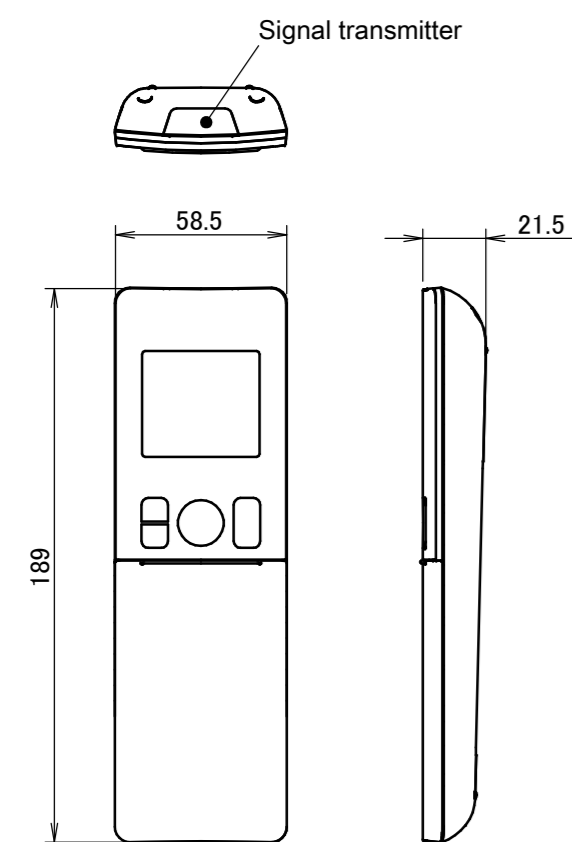


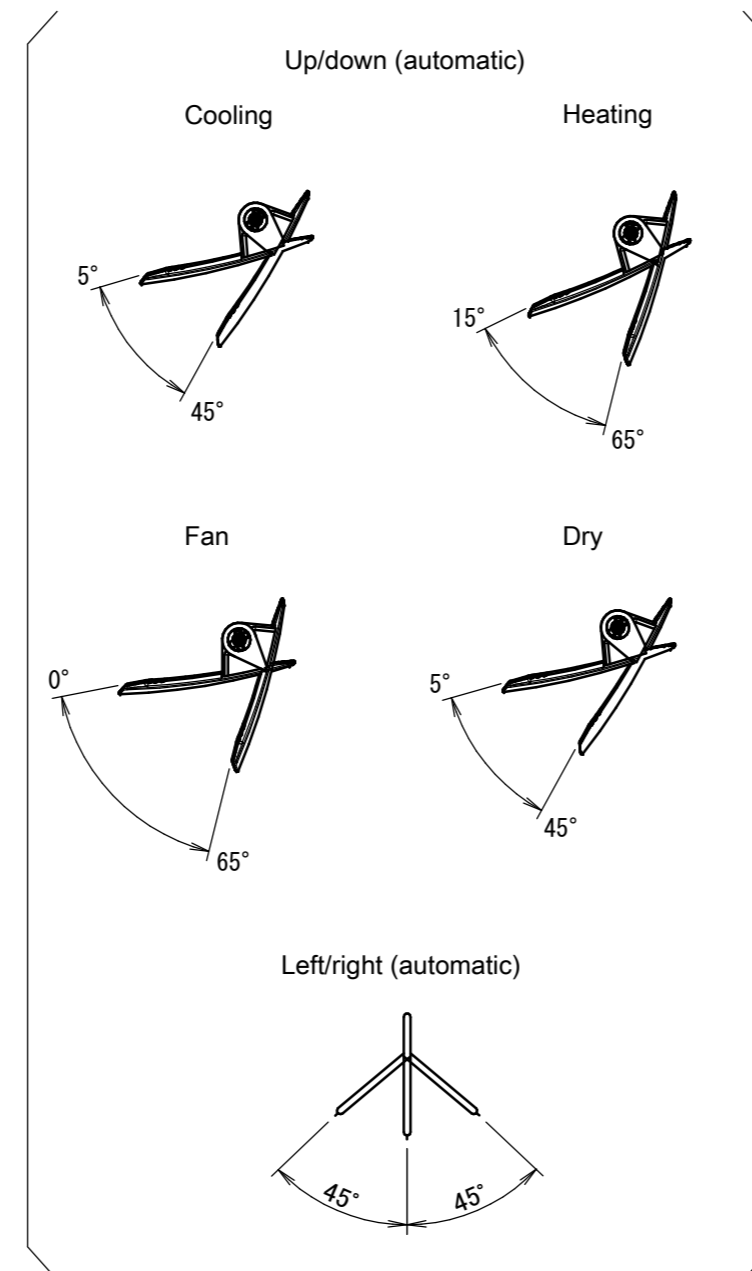
Required space for service and ventilation



Wireless remote control (ARC466A33)



Blade angle



Notes

1. The → mark shows the piping direction.
2. Editable data for this drawing are available in the GDE (E-BOM) system.

Standard location of holes in the wall

