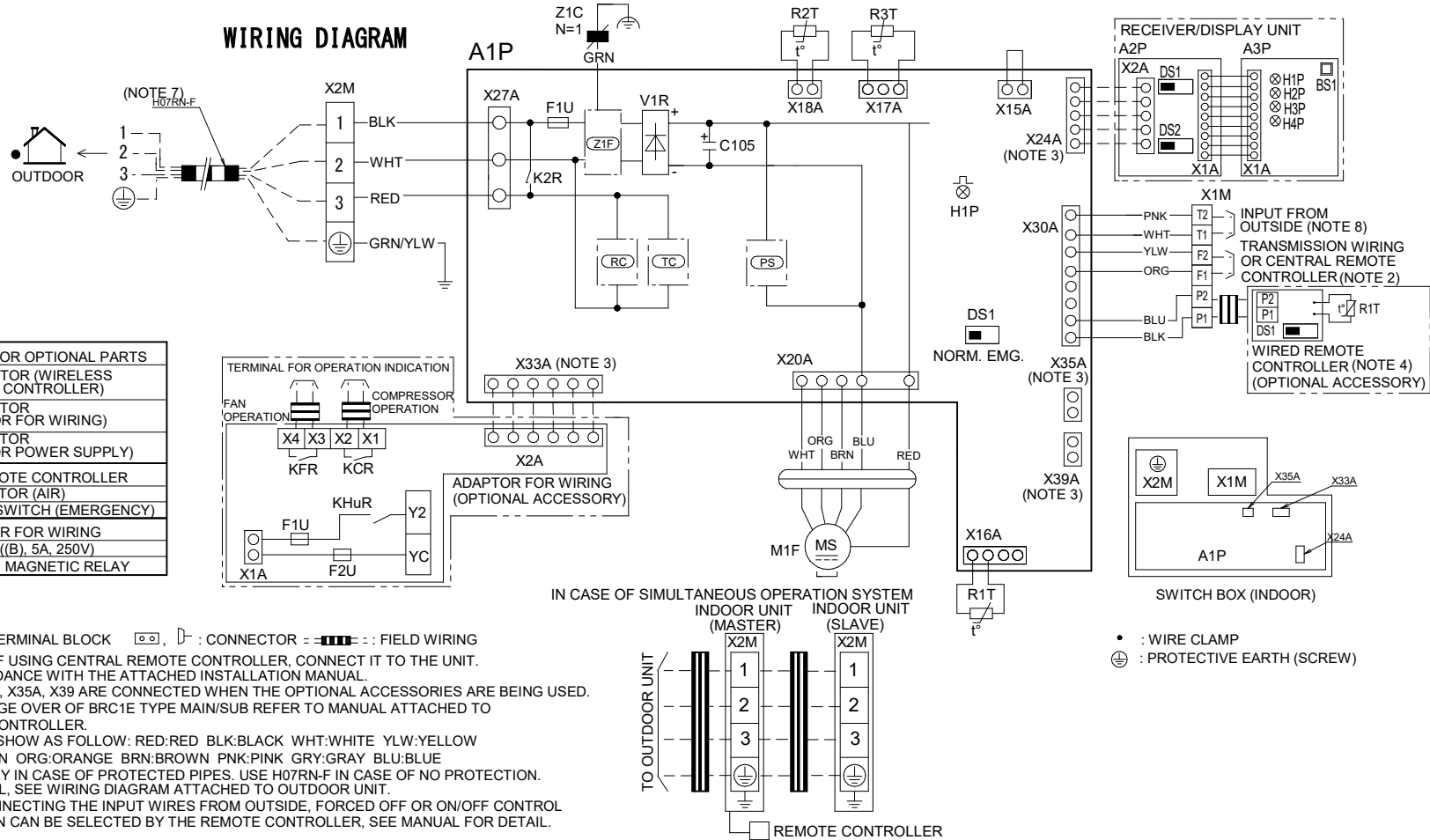


WIRING DIAGRAM



INDOOR UNIT	
A1P	PRINTED CIRCUIT BOARD
C105	CAPACITOR
F1U	FUSE (F, 3, 15A, 250V)
K2R	MAGNETIC RELAY
(PS)	POWER SUPPLY CIRCUIT
(RC)	RECEIVING CIRCUIT
(TC)	TRANSMISSION CIRCUIT
H1P	LIGHT EMITTING DIODE (SERVICE MONITOR-GREEN)
M1F	MOTOR (FAN)
R1T	THERMISTOR (AIR)
R2T,R3T	THERMISTOR (COIL)
DS1	SELECTOR SWITCH (EMERGENCY)
V1R	DIODE BRIDGE
X1M	TERMINAL STRIP (CONTROL)
X2M	TERMINAL STRIP (POWER SUPPLY)
Z1C	FERRITE CORE (NOISE FILTER)
Z1F	NOISE FILTER

RECEIVER/DISPLAY UNIT	
A2P	PRINTED CIRCUIT BOARD
A3P	PRINTED CIRCUIT BOARD
H1P	LIGHT EMITTING DIODE (ON-RED)
H2P	LIGHT EMITTING DIODE (FILTER SIGN-RED)
H3P	LIGHT EMITTING DIODE (TIMER-GREEN)
H4P	LIGHT EMITTING DIODE (DEFROST-ORANGE)
DS1	SELECTOR SWITCH (MAIN/SUB)
DS2	SELECTOR SWITCH(WIRELESS ADDRESS SET)
BS1	PUSH BUTTON (ON/OFF)

CONNECTOR FOR OPTIONAL PARTS	
X24A	CONNECTOR (WIRELESS REMOTE CONTROLLER)
X33A	CONNECTOR (ADAPTOR FOR WIRING)
X35A	CONNECTOR (ADAPTOR POWER SUPPLY)

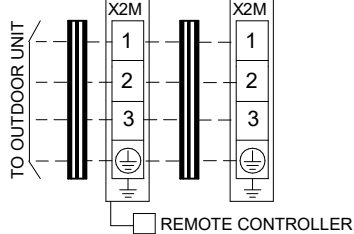
WIRED REMOTE CONTROLLER	
R1T	THERMISTOR (AIR)
DS1	SELECT SWITCH (EMERGENCY)

ADAPTOR FOR WIRING	
F1U, F2U	FUSE ((B), 5A, 250V)
KFR,KCR, KHuR	MAGNETIC RELAY

NOTES:

- □ □ : TERMINAL BLOCK □ □ □ □ □ □ : CONNECTOR = ■ ■ ■ ■ ■ ■ : FIELD WIRING
- IN CASE OF USING CENTRAL REMOTE CONTROLLER, CONNECT IT TO THE UNIT. IN ACCORDANCE WITH THE ATTACHED INSTALLATION MANUAL.
- X24A, X33A, X35A, X39 ARE CONNECTED WHEN THE OPTIONAL ACCESSORIES ARE BEING USED.
- FOR CHANGE OVER OF BRC1E TYPE MAIN/SUB REFER TO MANUAL ATTACHED TO REMOTE CONTROLLER.
- SYMBOLS SHOW AS FOLLOW: RED:RED BLK:BLACK WHT:WHITE YLW:YELLOW GRN:GREEN ORG:ORANGE BRN:BROWN PNK:PINK GRY:GRAY BLU:BLUE
- SHOW ONLY IN CASE OF PROTECTED PIPES. USE H07RN-F IN CASE OF NO PROTECTION.
- FOR DETAIL, SEE WIRING DIAGRAM ATTACHED TO OUTDOOR UNIT.
- WHEN CONNECTING THE INPUT WIRES FROM OUTSIDE, FORCED OFF OR ON/OFF CONTROL OPERATION CAN BE SELECTED BY THE REMOTE CONTROLLER, SEE MANUAL FOR DETAIL.

IN CASE OF SIMULTANEOUS OPERATION SYSTEM



SWITCH BOX (INDOOR)

- : WIRE CLAMP
- ⊕ : PROTECTIVE EARTH (SCREW)