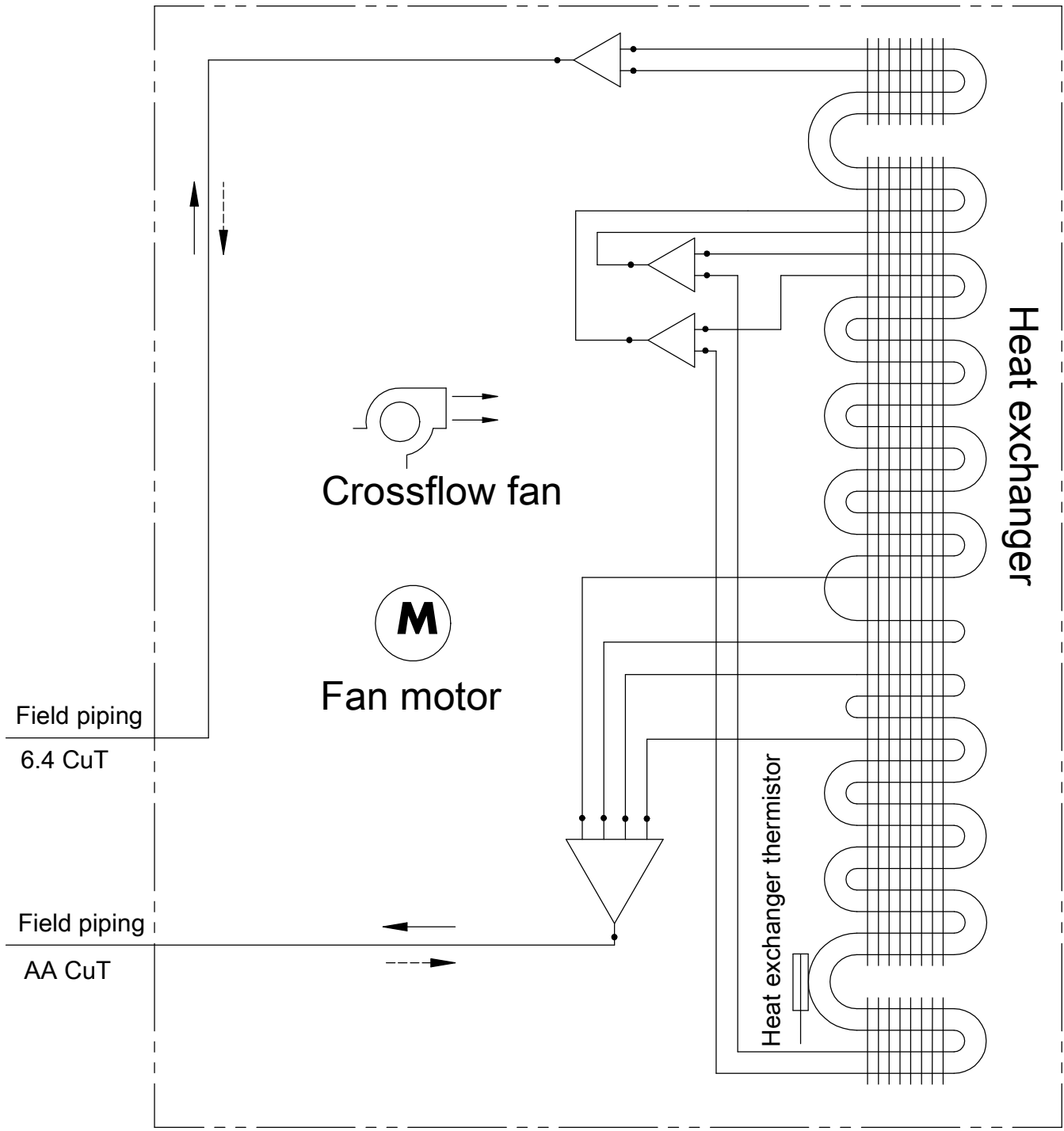


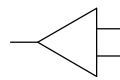
### Indoor unit



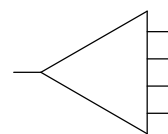
Refrigerant flow

Cooling  
 Heating

Distributor



Gas header



AA	Class
9.5	15~35
12.7	42~50