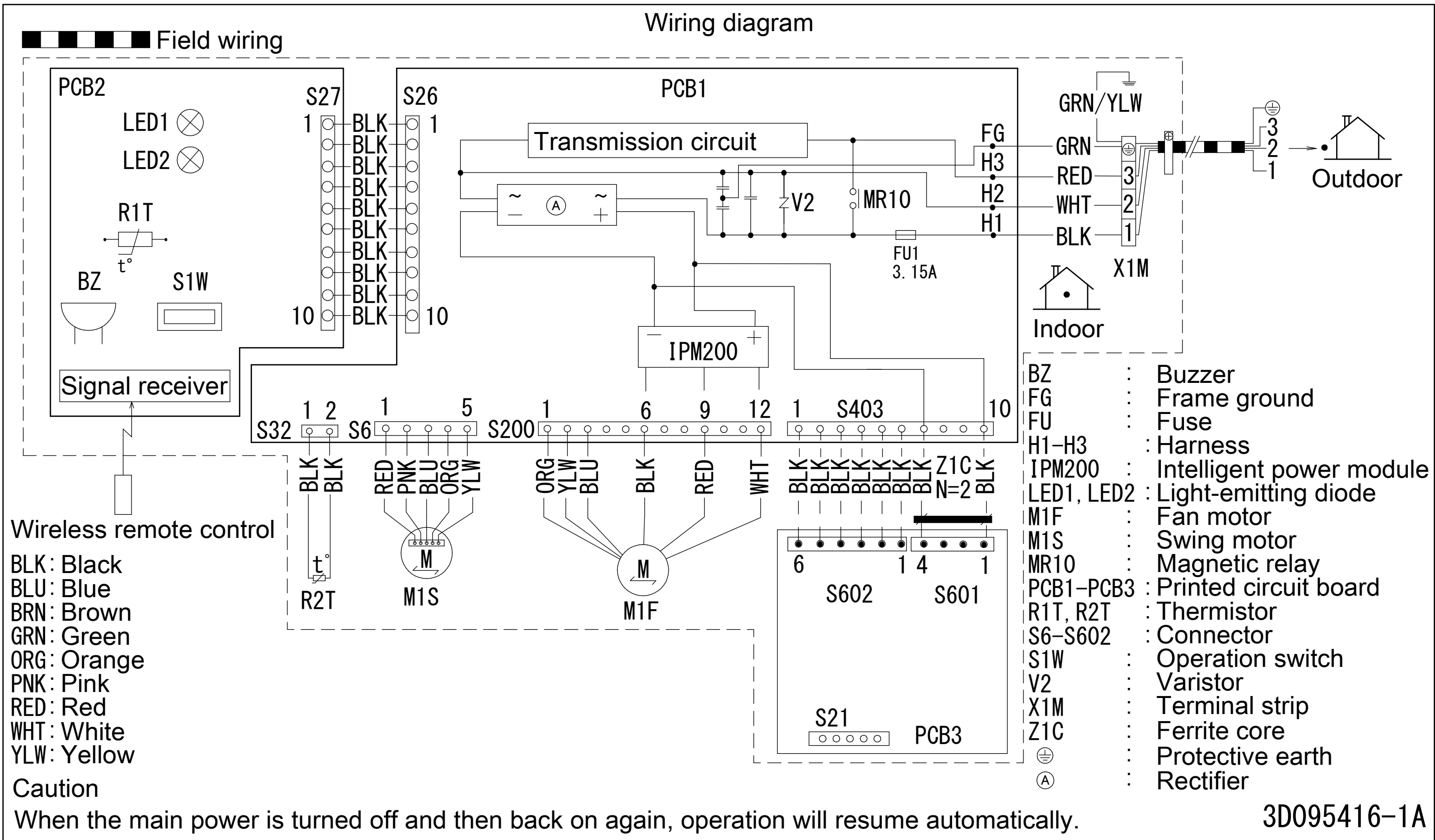


FTXTP-K

Wiring diagram



Notes

- 1 Size: length 70 X width 120.
- 2 Refer to purchasing specification AS303002, unless otherwise specified.