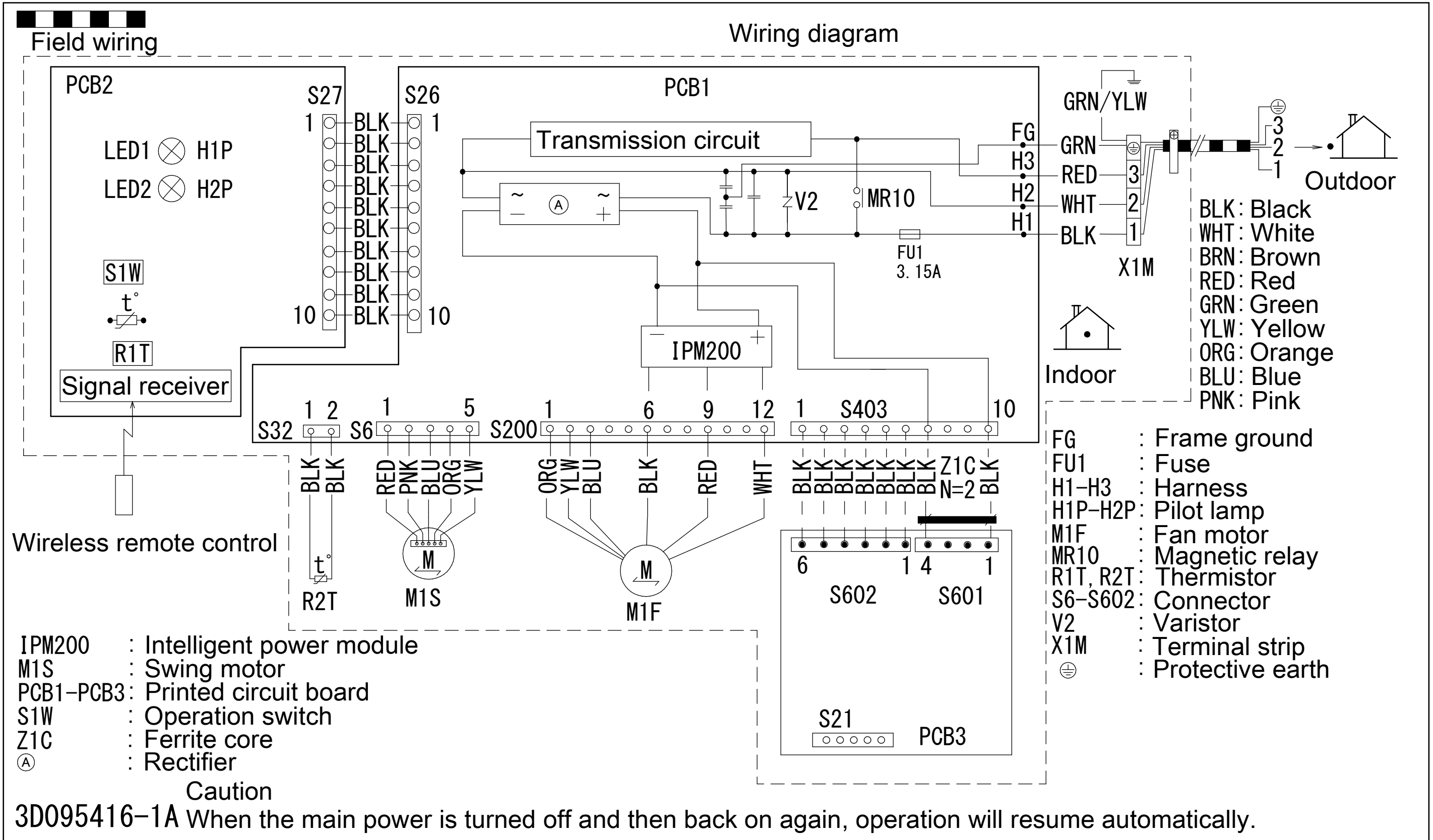


FTXP-L

Wiring diagram



Notes

1. Size: length 70 X width 120.
2. Refer to purchasing specification AS303002, unless otherwise specified.

3D095416A