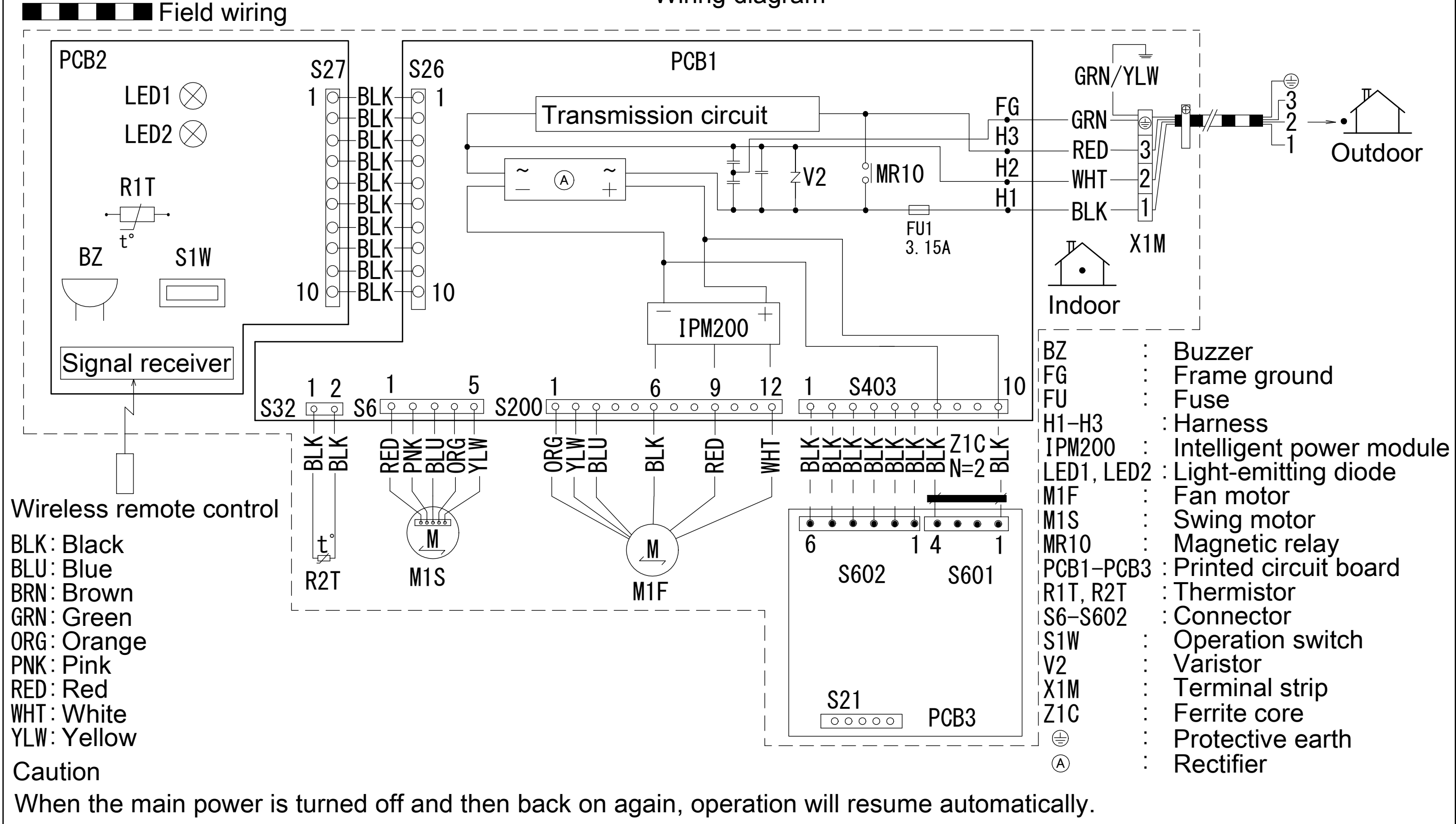


Wiring diagram



Notes

1 Size: length 70 X width 120.

2 Refer to purchasing specification AS303002, unless otherwise specified.