

FBA35-71A9

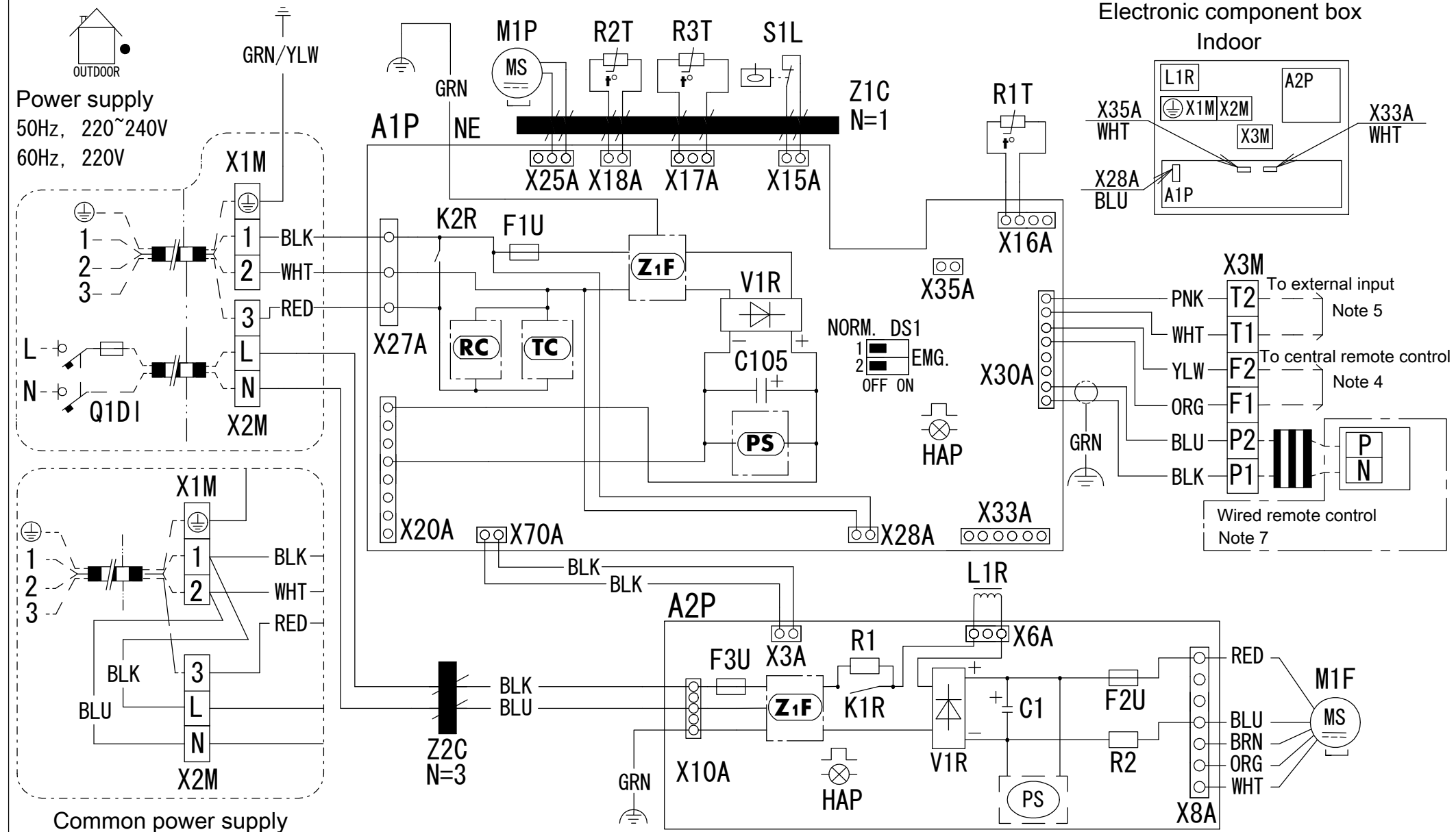
FBA100-140A

Wiring diagram

Indoor unit

A1P	Printed circuit board	M1P	Motor (drain pump)	TC	Signal transmission circuit
A2P	Printed circuit board (fan)	R1	Resistor (current sensor)	X1M	Terminal strip (power supply)
C1	Capacitor			X2M	Terminal strip (power supply)
C105	Capacitor			X3M	Terminal block (control)
DS1	Selector switch			Z1F	Noise filter
F1U	Fuse T,3.15A,250V	R2	Resistor (current sensor)	Z1C	Ferrite core
F2U	Fuse T,5A,250V	R1T	Thermistor (suction)	Z2C	Ferrite core
F3U	Fuse T,6.3A,250V	R2T	Thermistor (liquid)	Q1D1	Earth leakage breaker
HAP	Indication lamps	R3T	Thermistor (coil)		Connector (optional accessories)
K1R	Magnetic relay	S1L	Float switch		
K2R	Magnetic relay	V1R	Diode bridge	X28A	Connector (power supply for wiring)
L1R	Reactor	PS	Switching power supply	X33A	Connector (for wiring)
M1F	Motor (indoor fan)	RC	Signal receiver circuit	X35A	Connector (power supply for adaptor)

- Screw terminal ⊞⊞ Connector ≡≡≡ Field wiring
- In case of a multi-indoor-unit system with parallel operation, refer to the documentation of the indoor units.
- For details, refer to the wiring diagram attached to the outdoor unit.
- When using a central remote control, connect it to the unit according to the installation manual.
- When connecting the input wires from outside, forced OFF or On/OFF control operation can be selected by remote control. For more information, refer to the installation manual.
- For a multi-indoor-unit system with parallel operation, the connection ratio (number of indoor units you can connect to the outdoor unit) is different. Before connecting, refer to the Technical data or the General catalogue.
- For how to switch between the main unit and the sub units, refer to the installation manual of the remote control.
- Colours: blk:black; red:red; blu:blue; wht:white; grn:green; ylw:yellow; brn:brown; org:orange; pnk:pink



3D090350C