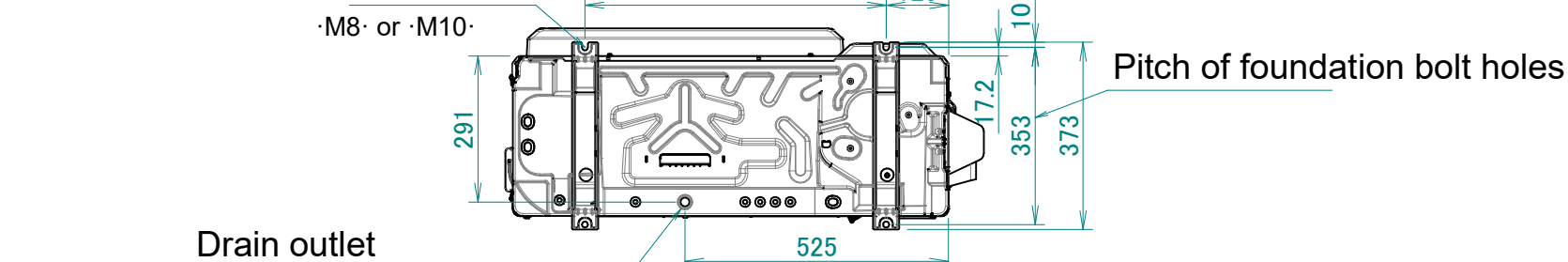
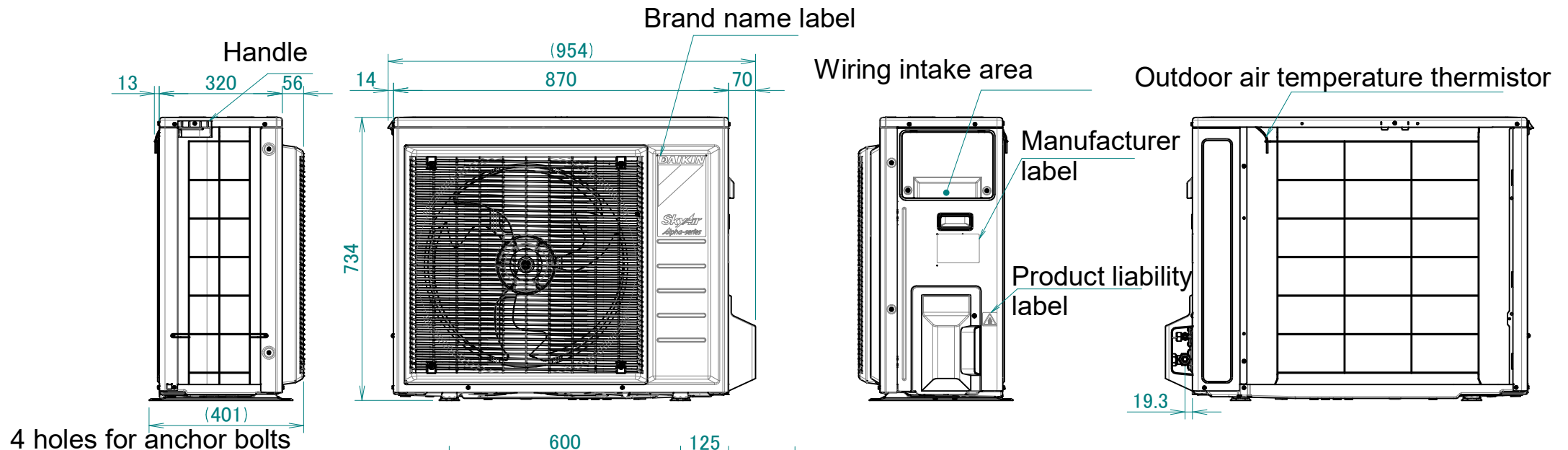
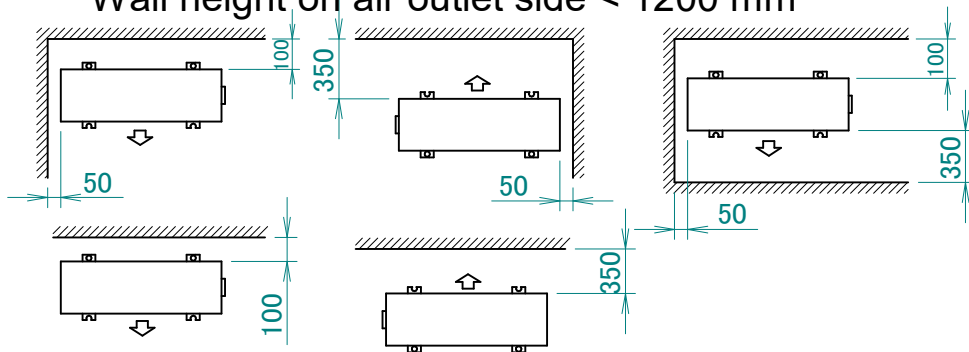


# RZAG50-60A

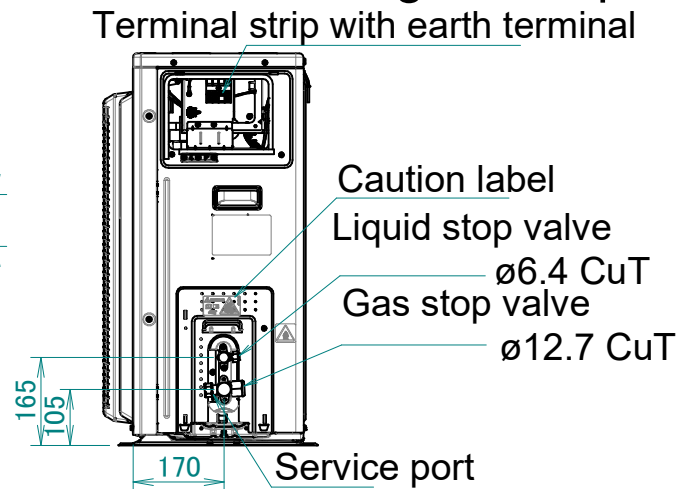


## Minimum space for air passage

Wall height on air outlet side < 1200 mm



## In case of removing the stop valve cover.



3D118380A