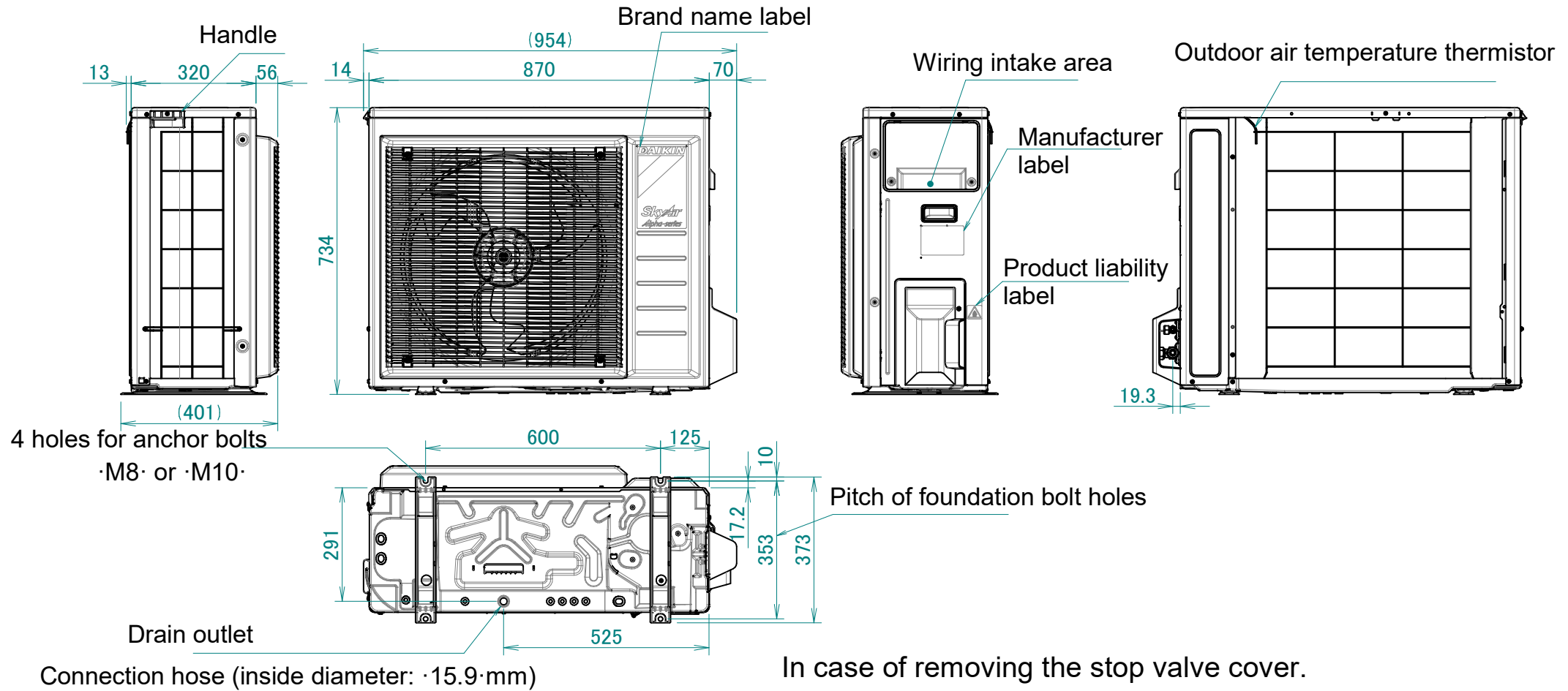
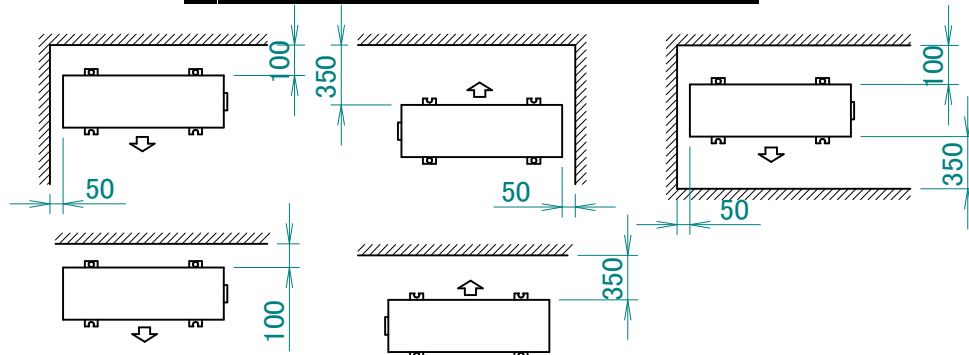


RZAG35A

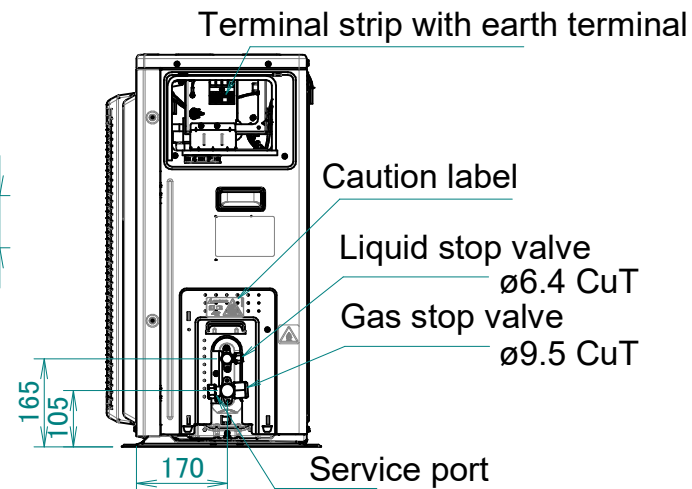


Minimum space for air passage



Wall height on air outlet side < 1200 mm

In case of removing the stop valve cover.



3D118381A