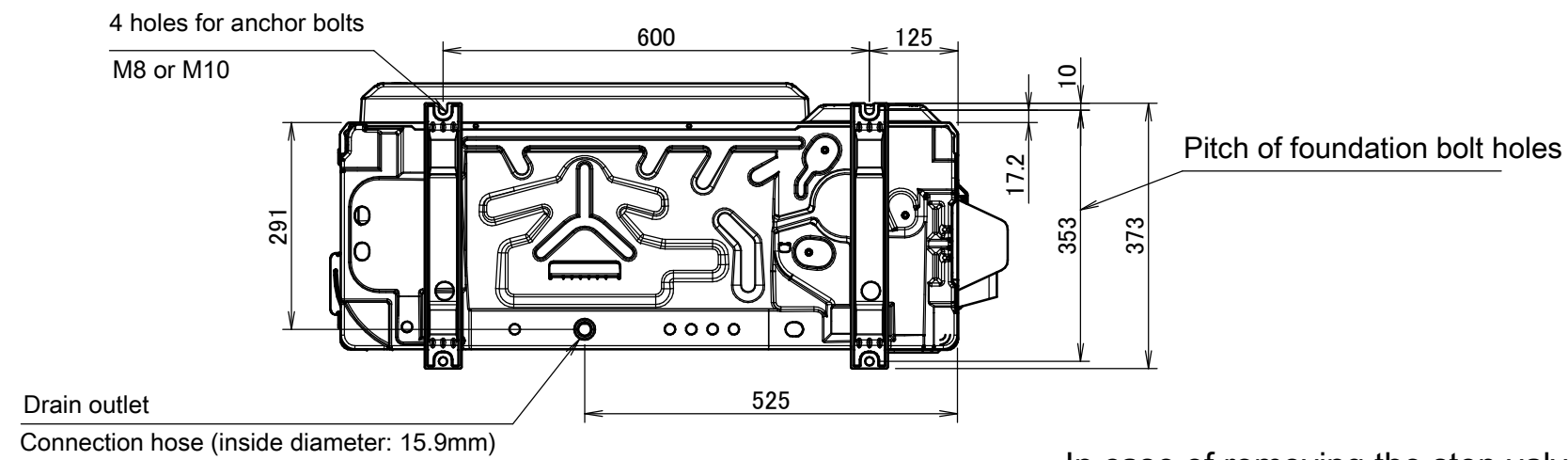
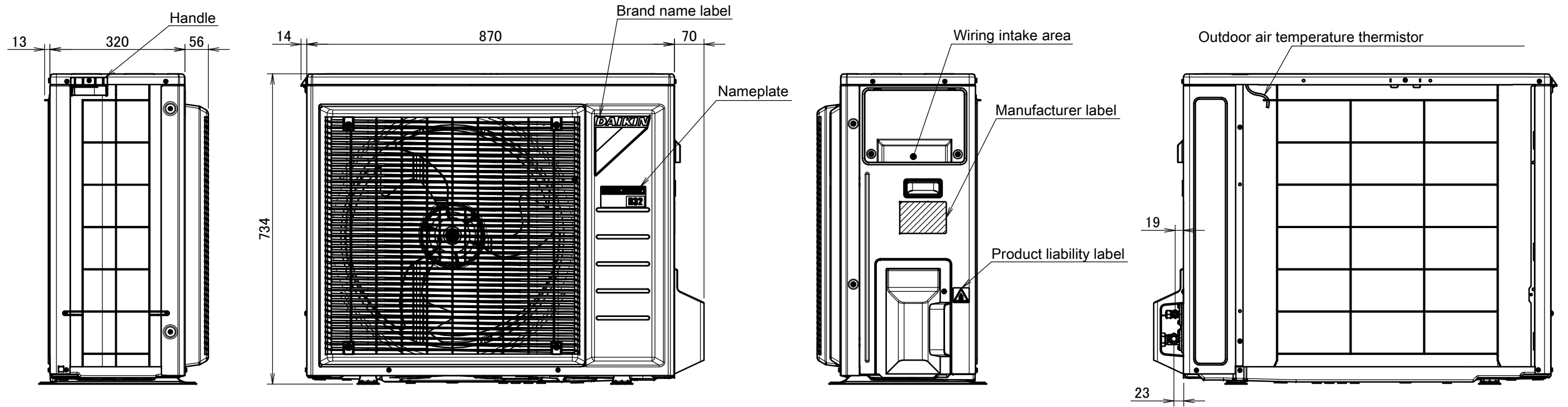
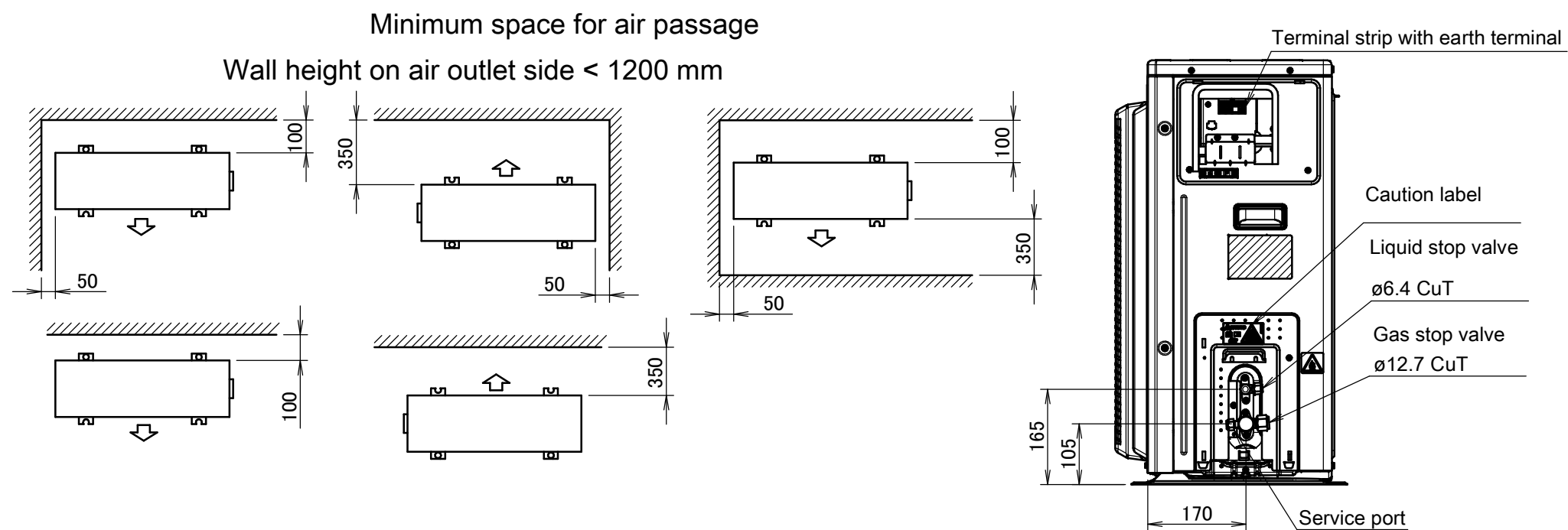


# RXP50-71L



In case of removing the stop valve cover.



3D114108