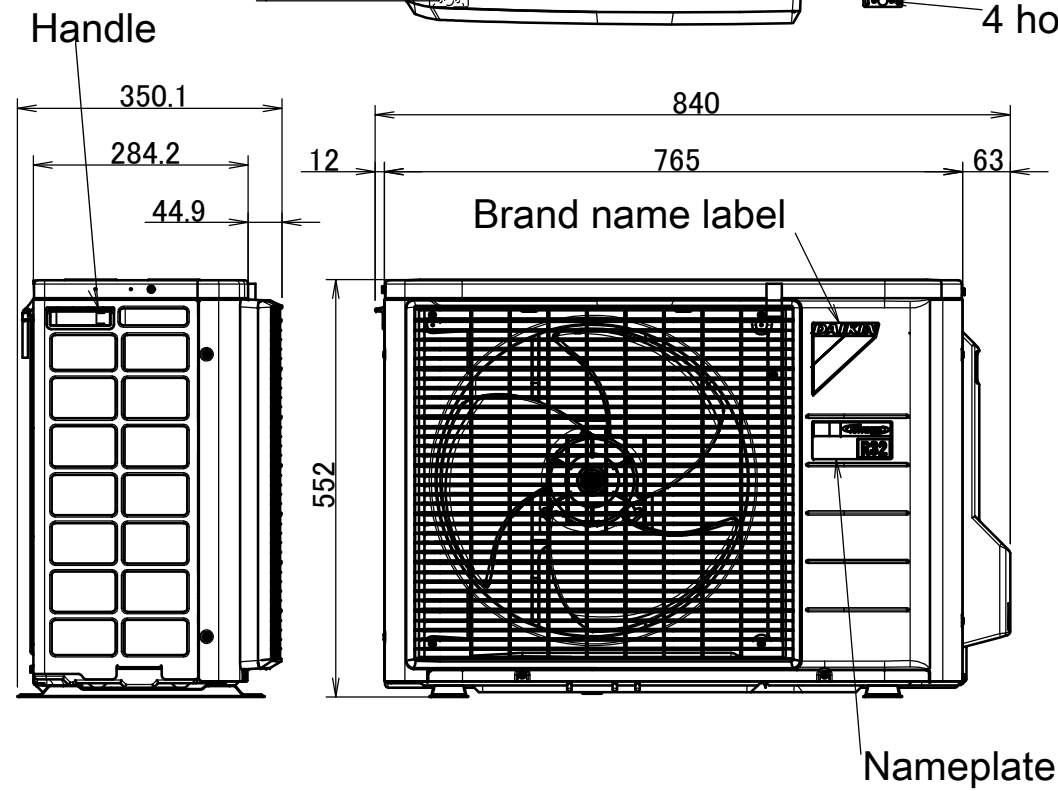
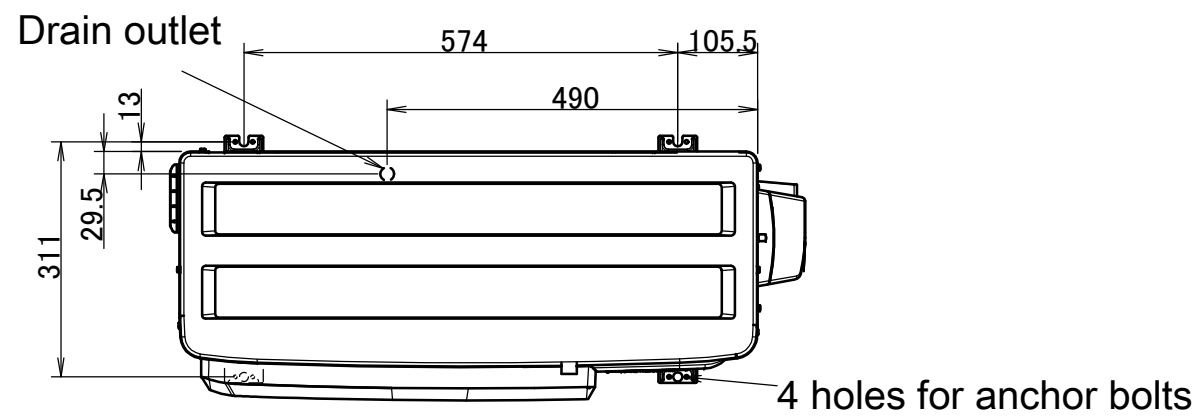
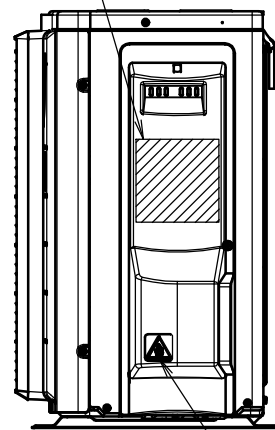


RXM20-35N9



Manufacturer label



Product liability label

In case of removing the stop valve cover.

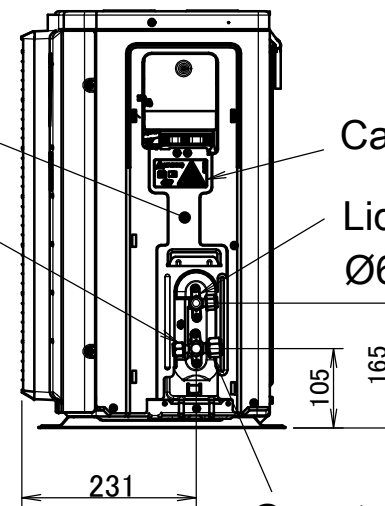
Wiring intake

Service port

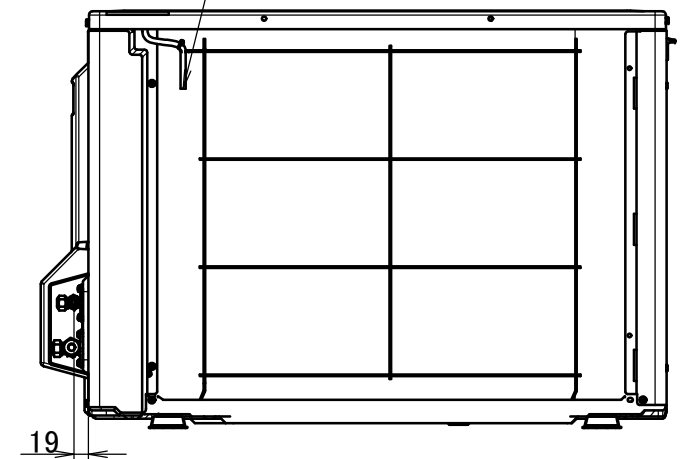
Caution label

Liquid stop valve
Ø6.4 CuT

Gas stop valve
Ø9.5 CuT

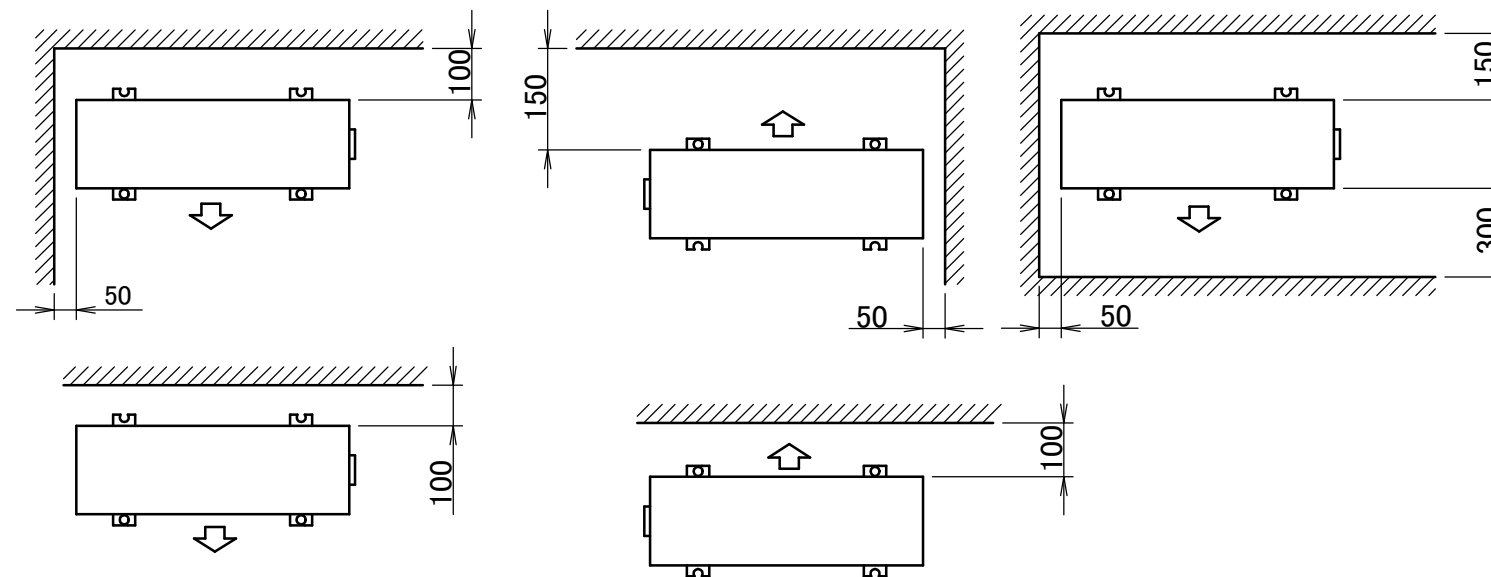


Outdoor air temperature thermistor



Minimum space for air passage

Wall height on air outlet side < 1200 mm



3D119881