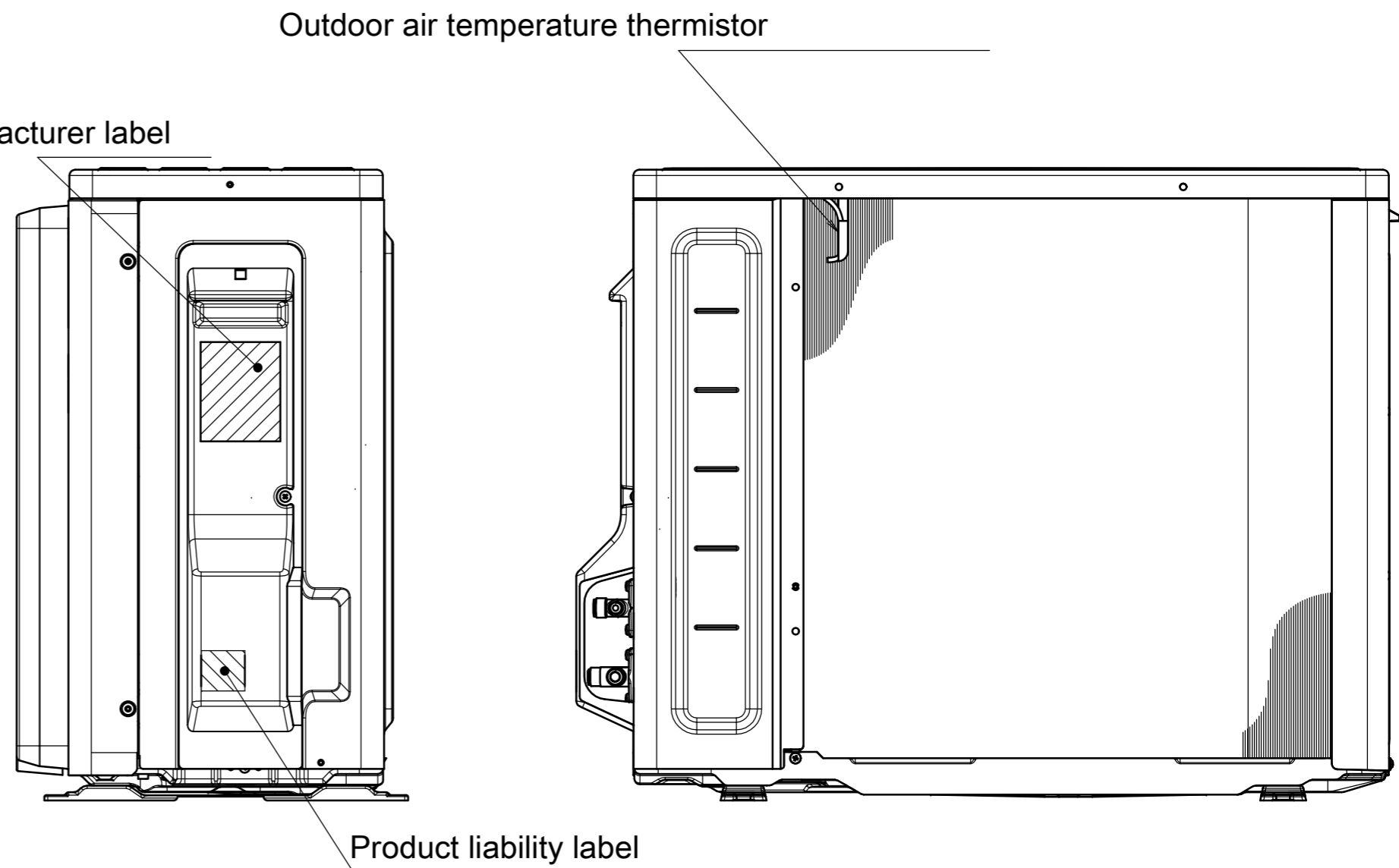
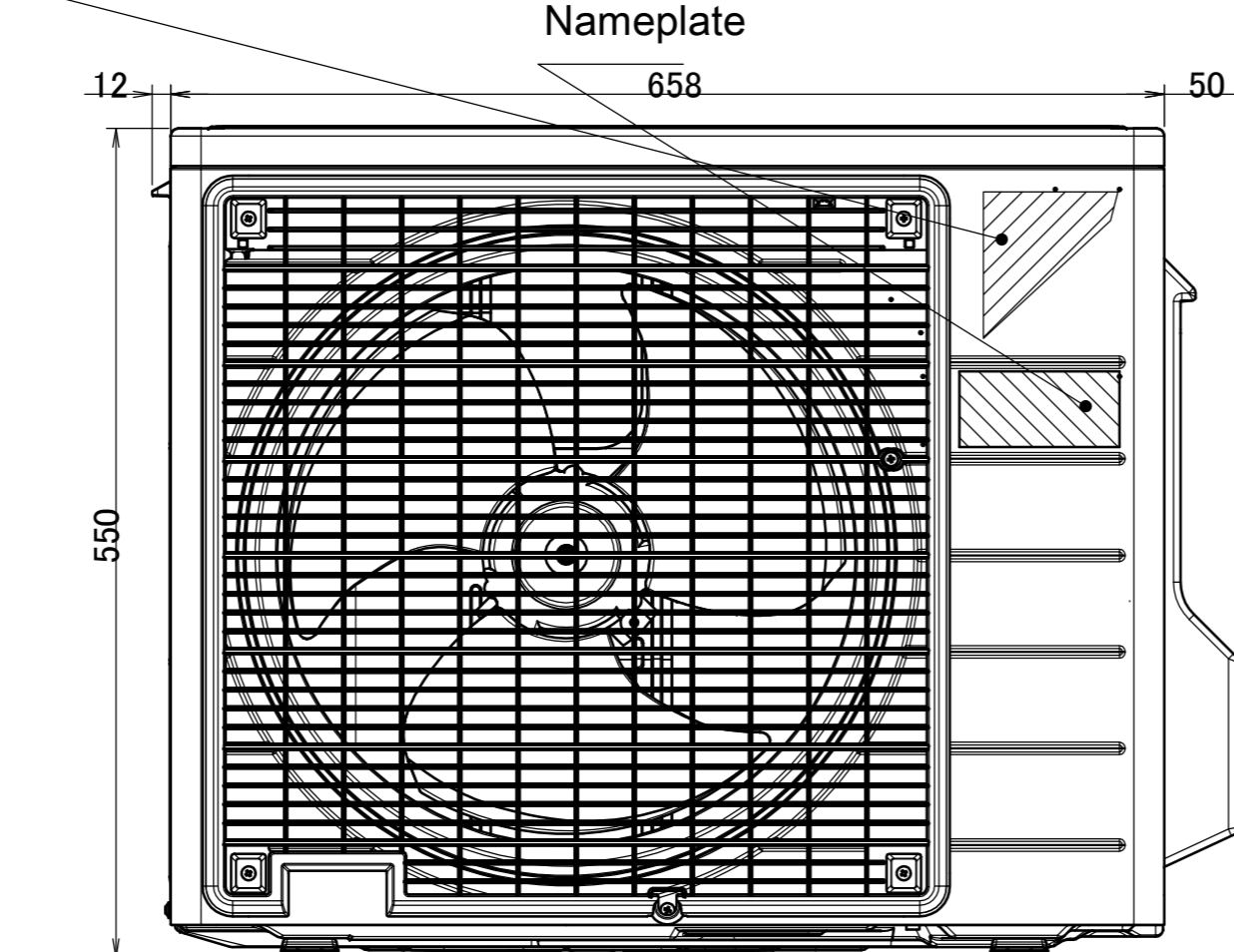
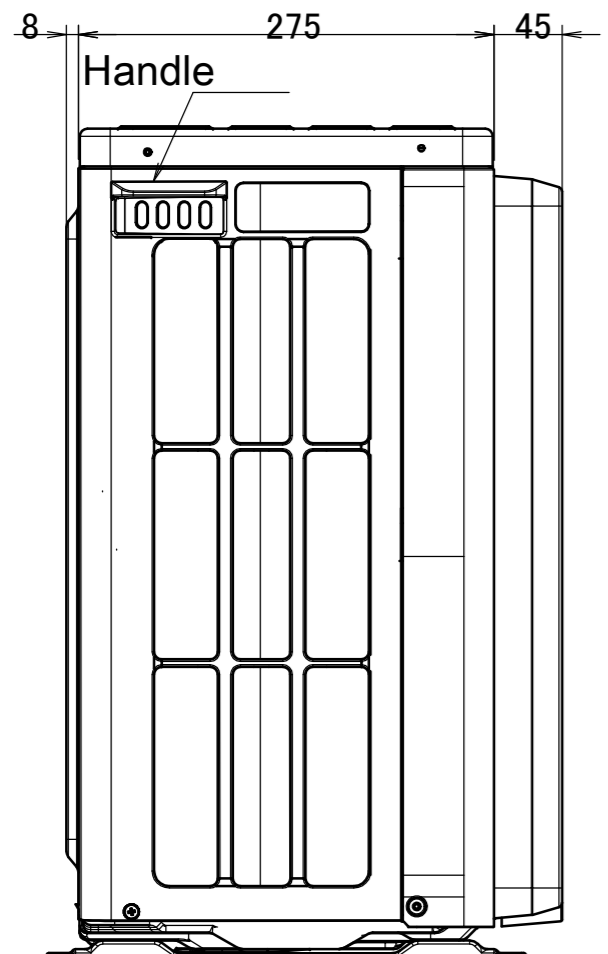
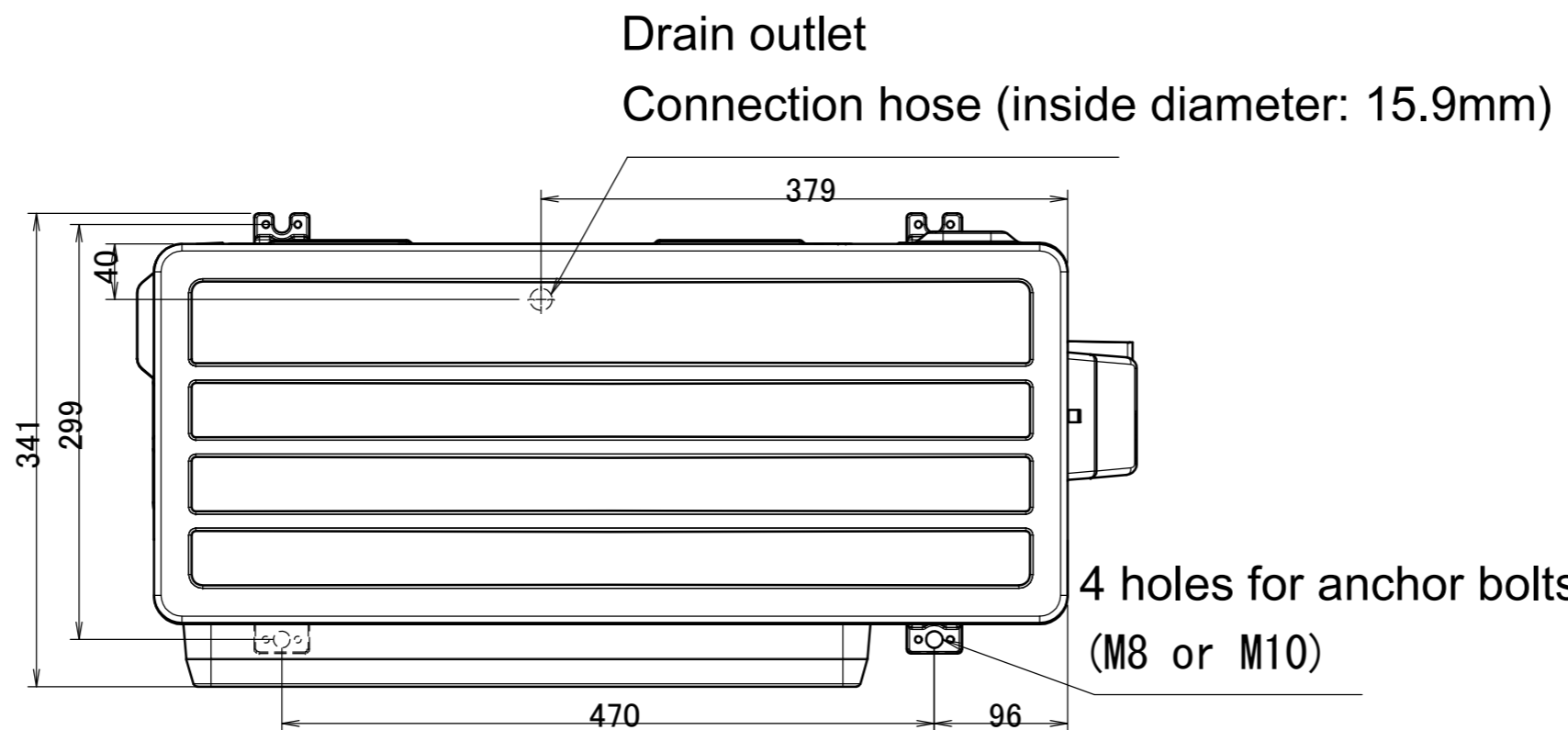
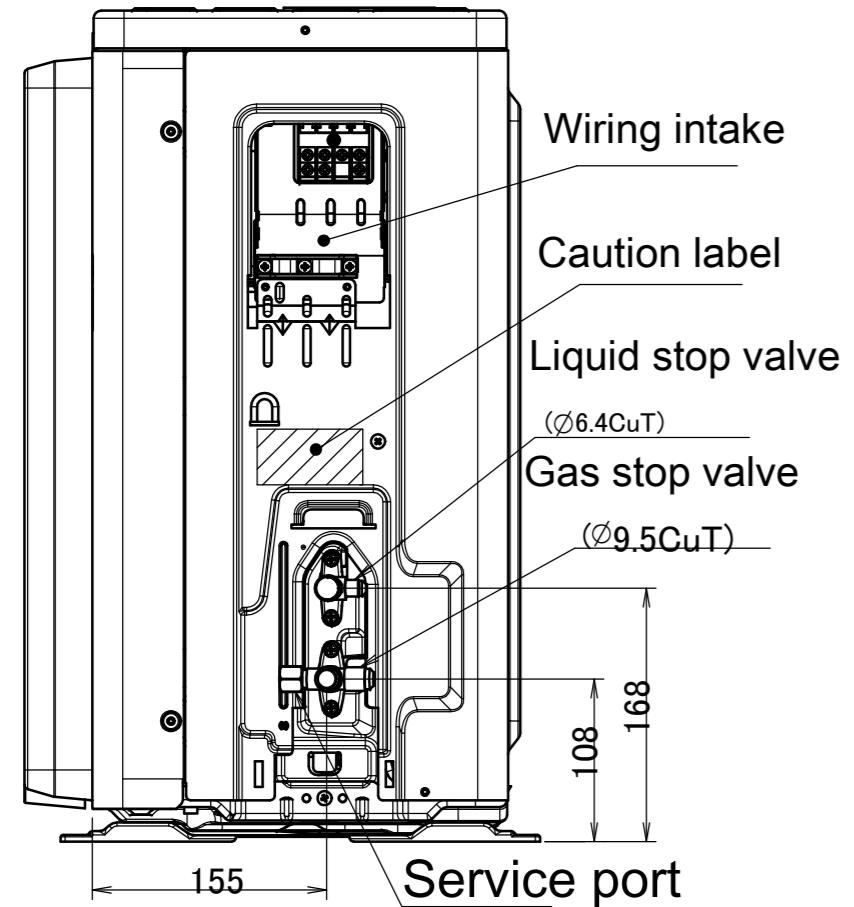


RXF20-25B



In case of removing the stop valve cover.



Minimum space for air passage
Wall height on air outlet side < 1200 mm

