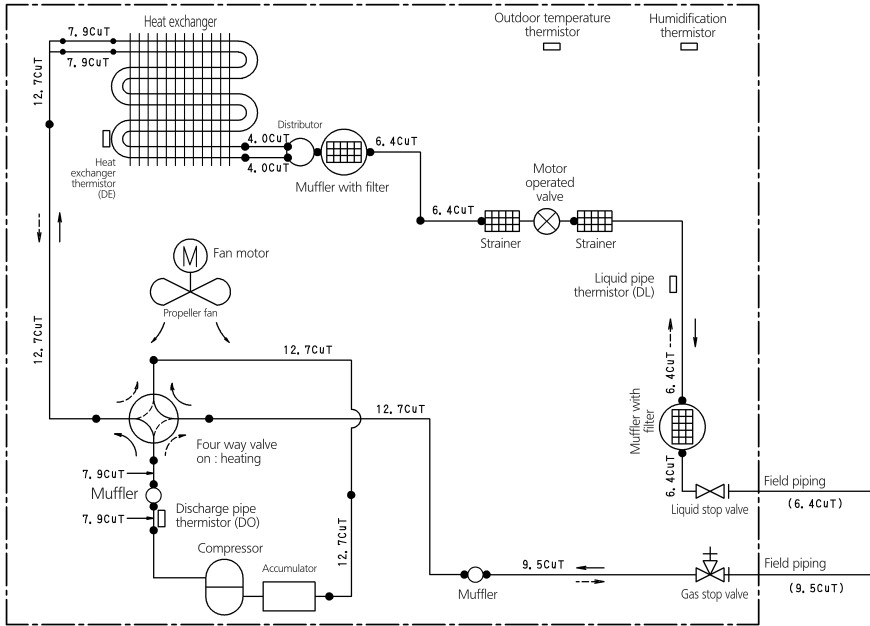


RXZ-N



Refrigerant flow
 ———> Cooling
 - - - -> Heating