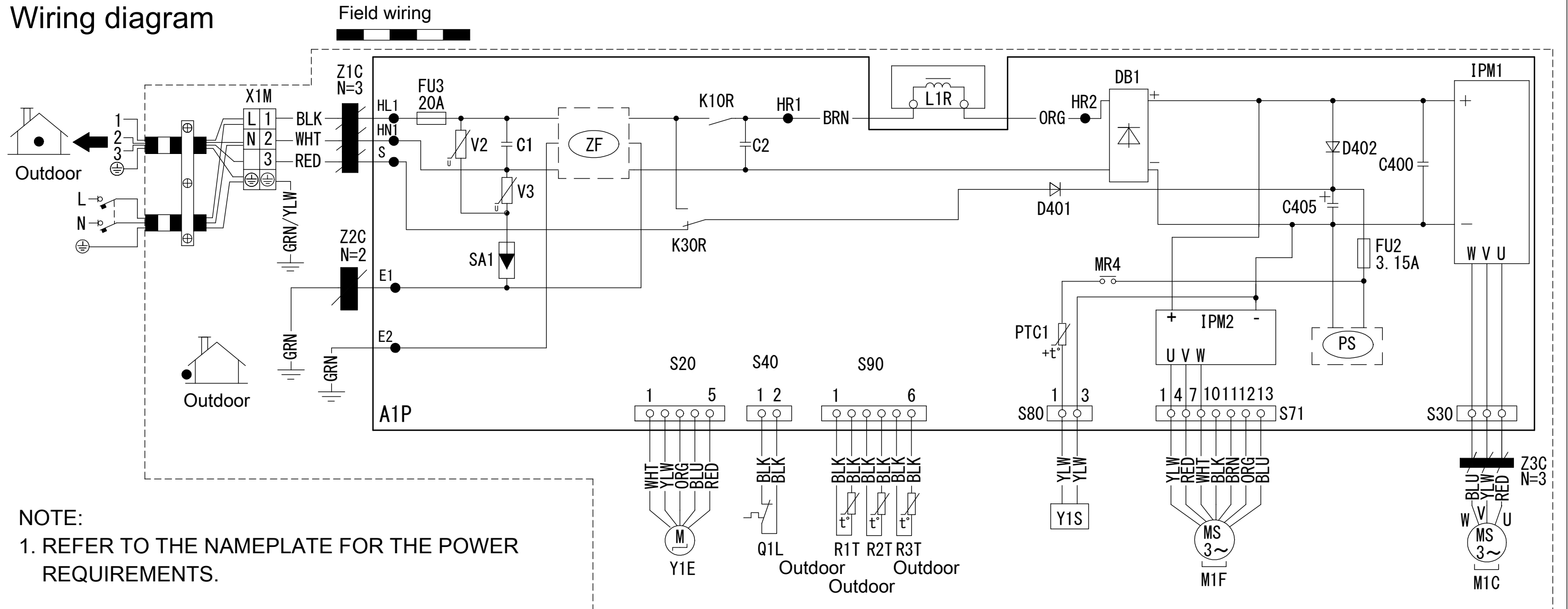


RXP20-35L

Wiring diagram



NOTE:
1. REFER TO THE NAMEPLATE FOR THE POWER REQUIREMENTS.

- | | | | | | |
|--------------------|----------------------------|---------------|---------------------------------|---------------|-----------------------------------|
| C1, C2, C400, C405 | : CAPACITOR | PS | : SWITCHING POWER SUPPLY | Y1E | : ELECTRONIC EXPANSION VALVE COIL |
| D401, D402 | : DIODE | Q1L | : OVERLOAD PROTECTOR | Z1C, Z2C, Z3C | : FERRITE CORE |
| DB1 | : DIODE BRIDGE | R1T, R2T, R3T | : THERMISTOR | ZF | : NOISE FILTER |
| FU2, FU3 | : FUSE | SA1 | : SURGE ARRESTER | ⊕ | : PROTECTIVE EARTH |
| IPM1, IPM2 | : INTELLIGENT POWER MODULE | V2, V3 | : VARISTOR | ⊖ | : EARTH |
| L1R | : REACTOR | X1M | : TERMINAL STRIP | | |
| M1C | : COMPRESSOR MOTOR | Y1S | : REVERSING SOLENOID VALVE COIL | | |
| M1F | : FAN MOTOR | PTC1 | : THERMISTOR PTC | | |
| K30R, K10R, MR4 | : MAGNETIC RELAY | | | | |
| A1P | : PRINTED CIRCUIT BOARD | | | | |

3D113660-1

NOTES:

1. **SIZE : LENGHT 140 x HEIGHT 80.**
2. **REFER TO PURCHASING SPECIFICATION AS303002, UNLESS OTHERWISE SPECIFIED.**
3. **THIS DRAWING WAS DRAWN ON CAD SYSTEM.**

3D113660