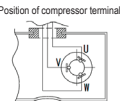
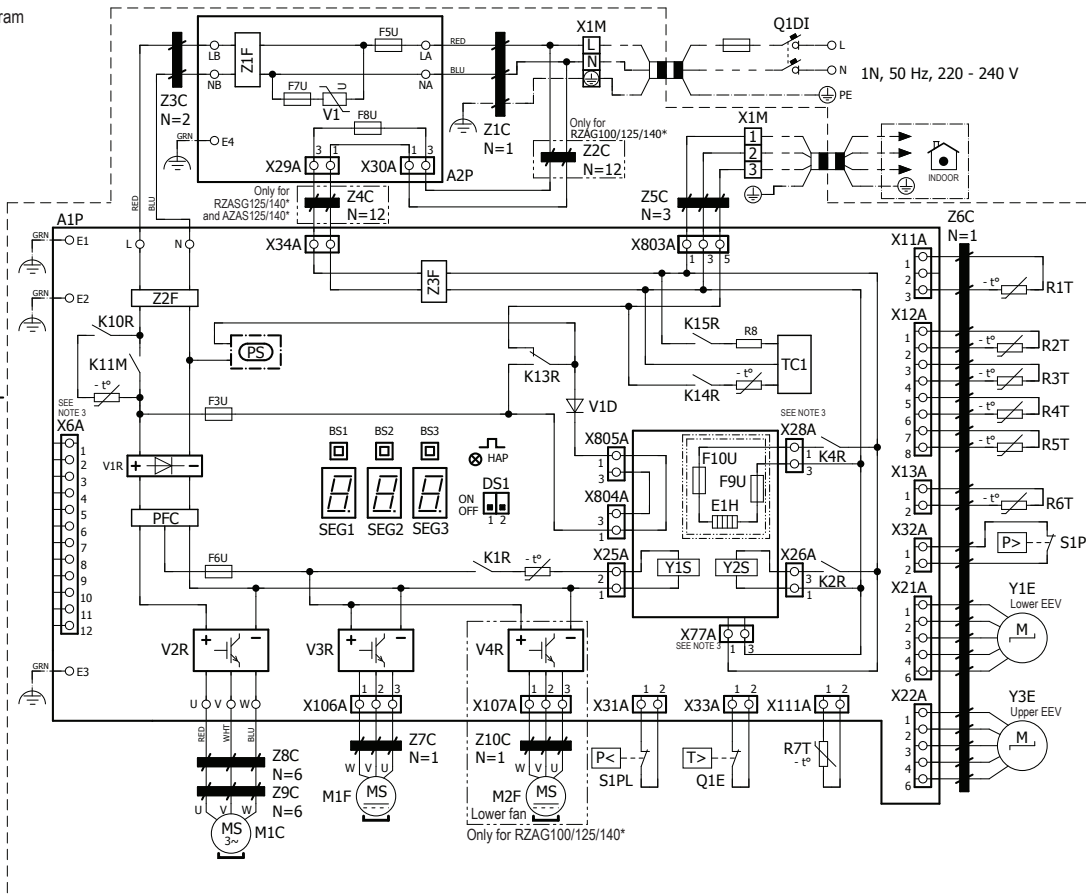


RZA(S)G, AZAS-MV1, MY1

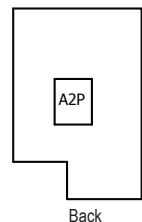
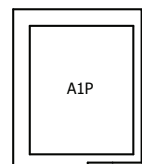
LEGEND

#: Field supply
*: optional

(1) Connection diagram

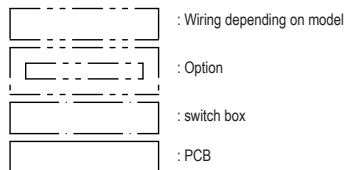
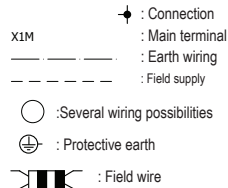


(2) Layout



NOTES

1. Refer to the wiring diagram sticker (on the back of the front plate) for how to use the BS1-BS3 and DS1 switches.
2. When operating, do not short-circuit protection device(s) S1PH, S1PL and Q1E.
3. Refer to the combination table and the option manual for how to connect the wiring to X6A, X28A and X77A.
4. Colours: BLK:black; RED:red; BLU:blue; WHT:white; GRN:green



Part n°	Description
A1P	Printed circuit board (main)
A2P	Printed circuit board (noise filter)
BS1-3 (A1P)	Push-button switch
DS1(A1P)	Dipswitch
E1-3 (A1-2P)	Connector
E1H *	Bottom plate heater
F3U (A1P)	Fuse T 6,3 A 250 V
F5U (A2P)	Fuse T 56 A 250V
F6U (A1P)	Fuse T 5 A 250V
F7U (A2P)	Fuse T 6,3 A 250 V
F8U (A2P)	Fuse T 6,3 A 250 V
F9-10U *	Fuse F 1 A 250 V
HAP (A1P)	Light-emitting diode (service monitor is green)
K1R (A1P)	Magnetic relay (Y1S)
K2R (A1P)	Magnetic relay (Y2S)
K4R (A1P)	Magnetic relay (E1H)
K13-15R, K10R (A1P)	Magnetic relay
K11M (A1P)	Magnetic contactor
L* (A1-2P)	Connector
M1C	Compressor motor
M1-2F	Fan motor
PFC (A1P)	Power factor correction
PS (A1P)	Switching power supply
Q1DI	Earth leakage circuit breaker (30mA)
Q1E	Overload protection
R1T	Thermistor (air)
R2T	Thermistor (discharge)
R3T	Thermistor (suction)
R4T	Thermistor (heat exchanger)
R5T	Thermistor (heat exchanger middle)
R6T	Thermistor (liquid)
R7T	Thermistor (fin)
R8 (A1P)	Resistor
S1PH	High pressure switch
S1PL	Low pressure switch
SEG1-3 (A1P)	7-segment display
TC1 (A1P)	Signal transceiver circuit
U, V, W (A1P)	Connector
V1 (A2P)	Varistor
V1D (A1P)	Diode
V*R (A1P)	Diode module
X*A (A1-2P)	Connector
X1M	Terminal strip
Y1E, Y3E	Electronic expansion valve
Y1-2S	Solenoid valve (4-way valve)
Z'C	Noise filter (ferrite core)
Z'F (A1-2P)	Noise filter