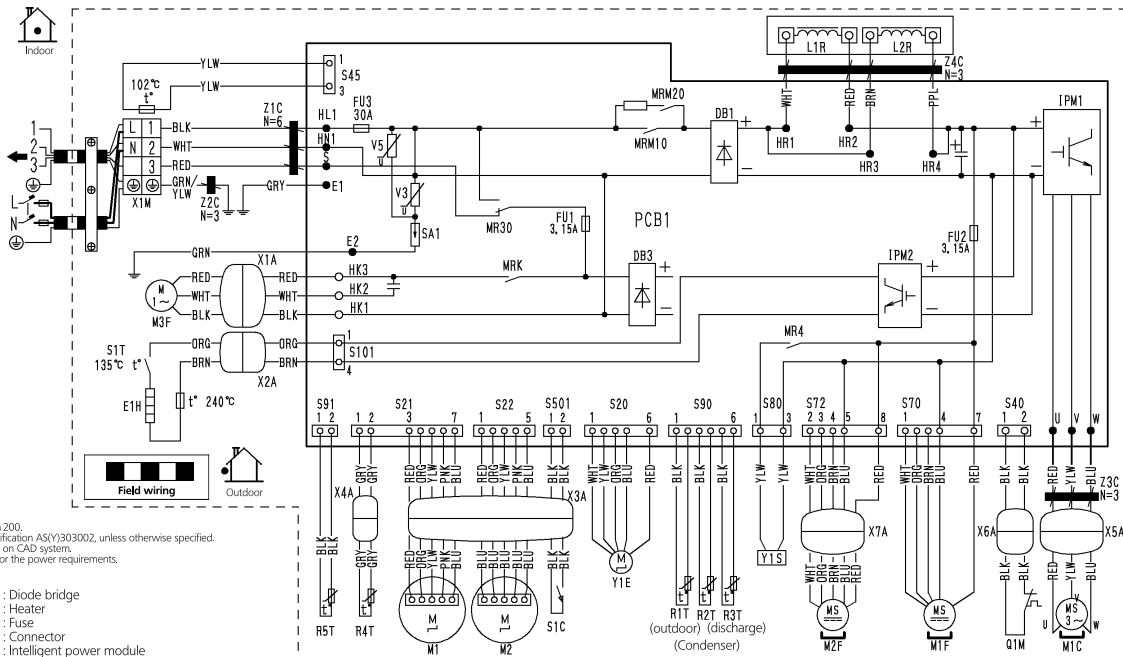


RXZ-N



- Notes
 1. Size: Length 145 X Width 200.
 2. Refer to purchasing specification AS(Y)30300Z, unless otherwise specified.
 3. This drawing was drawn on CAD system.
 4. Refer to the nameplate for the power requirements.

- DB1,DB3 : Diode bridge
 E1H : Heater
 FU1,FU2,FU3 : Fuse
 HK1,HK2,HK3 : Connector
 IPM1,IPM2 : Intelligent power module
 L : Live
 L1R,L2R : Reactor
 MRK,MR4,MRM10,MRM20 : Magnetic relay
 M1 : Humidifying rotor motor
 M2 : Damper motor
 M1C : Compressor motor
 M1F : Fan motor
 M2F : Humidifier fan motor
 M3F : Hygroscopic fan motor

- N : Neutral
 PCB1 : Printed circuit board
 Q1M : Overload protector
 R1T,R2T,R3T : Thermistor
 R4T : Humidification thermistor
 R5T : Liquid pipe thermistor
 SA1 : Surge arrester
 S1C : Limit switch

- S1T : Thermostat
 V3,V5 : Varistor
 X1A,X2A,X3A : Connector
 X4A,X5A,X6A,X7A : Connector
 X1M : Terminal strip
 Y1E : Electronic expansion valve coil
 Y1S : Reversing solenoid valve coil
 Z1C,Z2C,Z3C,Z4C : Ferrite core
 PE : Protective earth