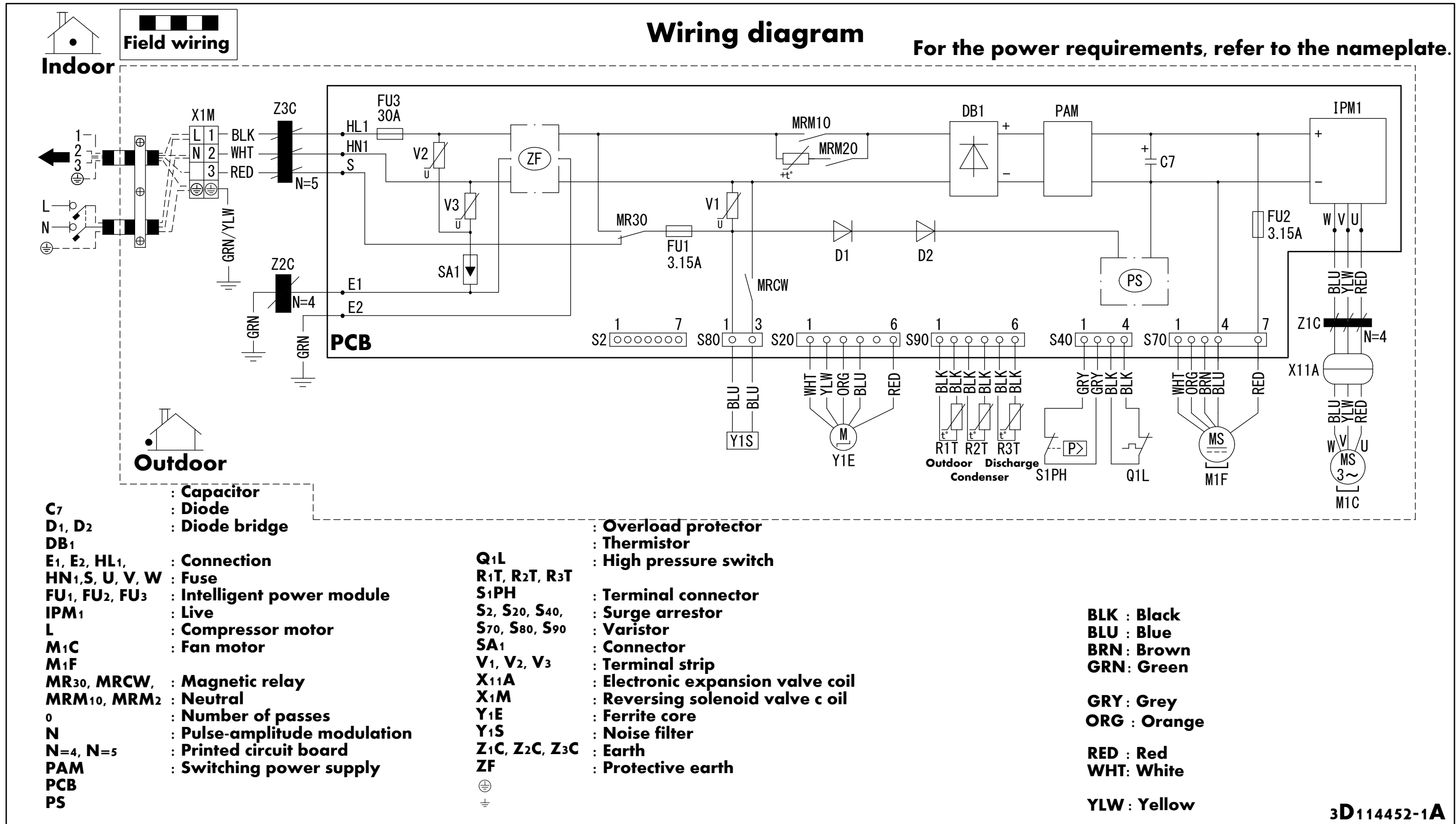


RXP50-71L

Wiring diagram

For the power requirements, refer to the nameplate.



- C7 : Capacitor
- D1, D2 : Diode
- DB1 : Diode bridge
- E1, E2, HL1, HN1, S, U, V, W : Connection
- FU1, FU2, FU3 : Fuse
- FU1, FU2, FU3 : Intelligent power module
- IPM1 : Live
- L : Compressor motor
- M1C : Fan motor
- M1F : Fan motor
- MR30, MRCW, MRM10, MRM20 : Magnetic relay
- MRM10, MRM20 : Neutral
- 0 : Number of passes
- N : Pulse-amplitude modulation
- N=4, N=5 : Printed circuit board
- PAM : Switching power supply
- PCB : Printed circuit board
- PS : Switching power supply

- Q1L : Overload protector
- R1T, R2T, R3T : Thermistor
- S1PH : High pressure switch
- S2, S20, S40, S70, S80, S90 : Terminal connector
- S2, S20, S40, S70, S80, S90 : Surge arrestor
- S2, S20, S40, S70, S80, S90 : Varistor
- SA1 : Connector
- V1, V2, V3 : Terminal strip
- X11A : Electronic expansion valve coil
- X1M : Reversing solenoid valve coil
- Y1E : Ferrite core
- Y1S : Noise filter
- Z1C, Z2C, Z3C : Earth
- ZF : Protective earth

- BLK : Black
- BLU : Blue
- BRN : Brown
- GRN : Green
- GRY : Grey
- ORG : Orange
- RED : Red
- WHT : White
- YLW : Yellow

3D114452-1A

Notes:

1. Size: 105 X 185
2. Refer to purchasing specification AS(Y)303002, unless otherwise specified.

3D114452A