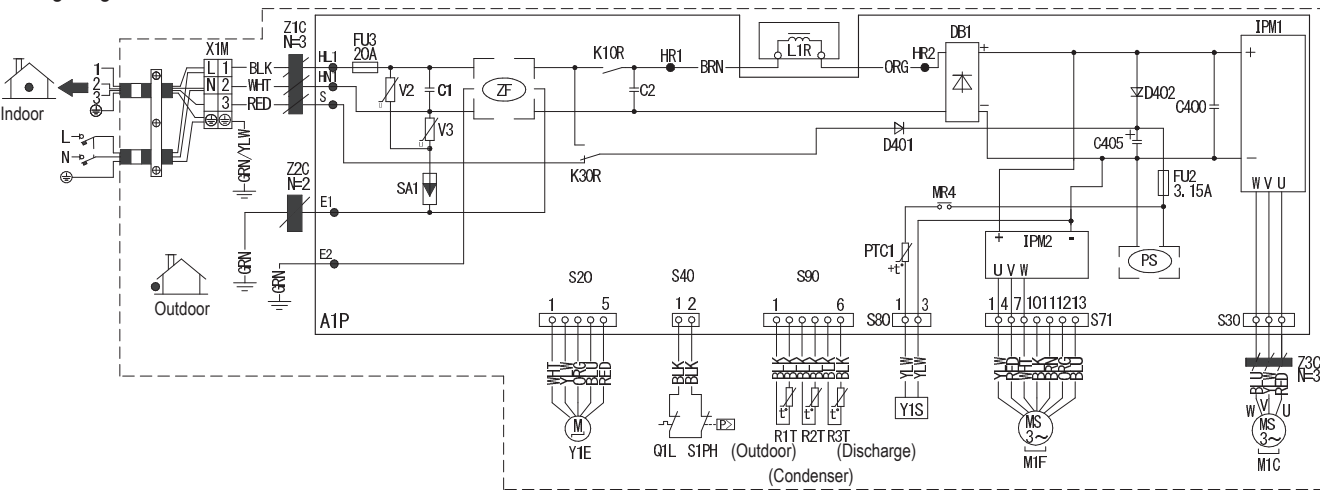


# RXP20-35M

## Wiring diagram



C1, C2, C400, C405	Capacitor
HL1, HN1, S, E1, E2, HR1, HR2	Connection
D401, D402	Diode
DB1	Diode bridge
FU2, FU3	Fuse
IPM1, IPM2	Intelligent power module
L1R	Reactor
M1C	Compressor motor
M1F	Fan motor
K30R, K10R, MR4	Magnetic relay
AIP	Printed circuit board
PS	Switching power supply
Q1L	Overload protector
R1T, R2T, R3T	Thermistor
S1PH	High pressure switch
SA1	Surge arrester
S20, S30, S40, S71, S80, S90	Connector
V2, V3	Varistor
X1M	Terminal strip
Y1S	Reversing solenoid valve coil
PTC1	Thermistor PTC
Y1E	Electronic expansion valve coil
Z1C, Z2C, Z3C	Ferrite core
ZF	Noise filter

BLK:	Black
WHT:	White
BRN:	Brown
RED:	Red
GRN:	Green
YLW:	Yellow
ORG:	Orange
BLU:	Blue

: Protective earth

: Earth

: Field wiring

### NOTES

1. Refer to the nameplate for the power requirements.