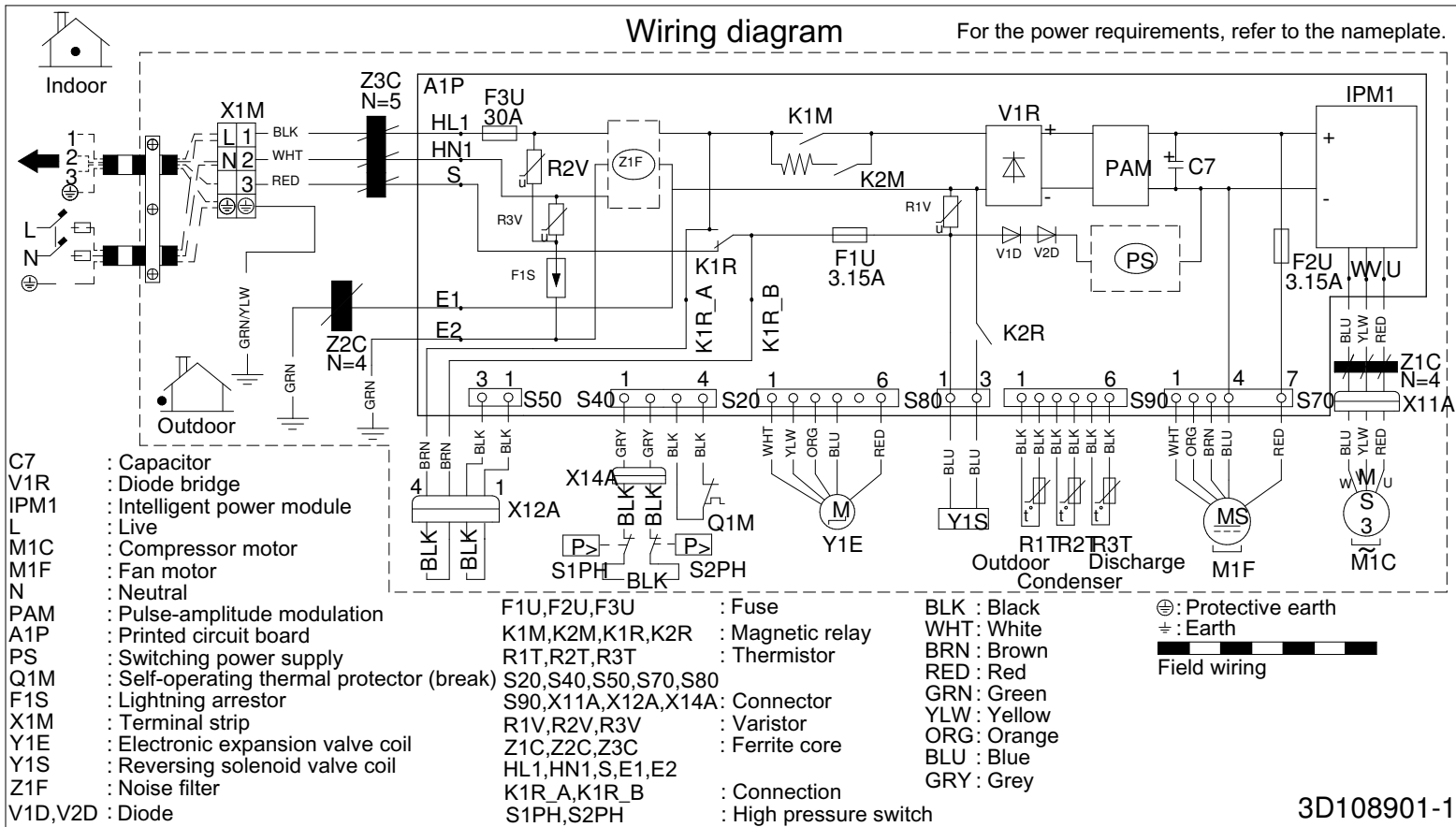


Wiring diagram

For the power requirements, refer to the nameplate.



NOTES:

1. Size: length 105 x width 185.
2. Refer to purchasing specification AS303002 unless otherwise specified.