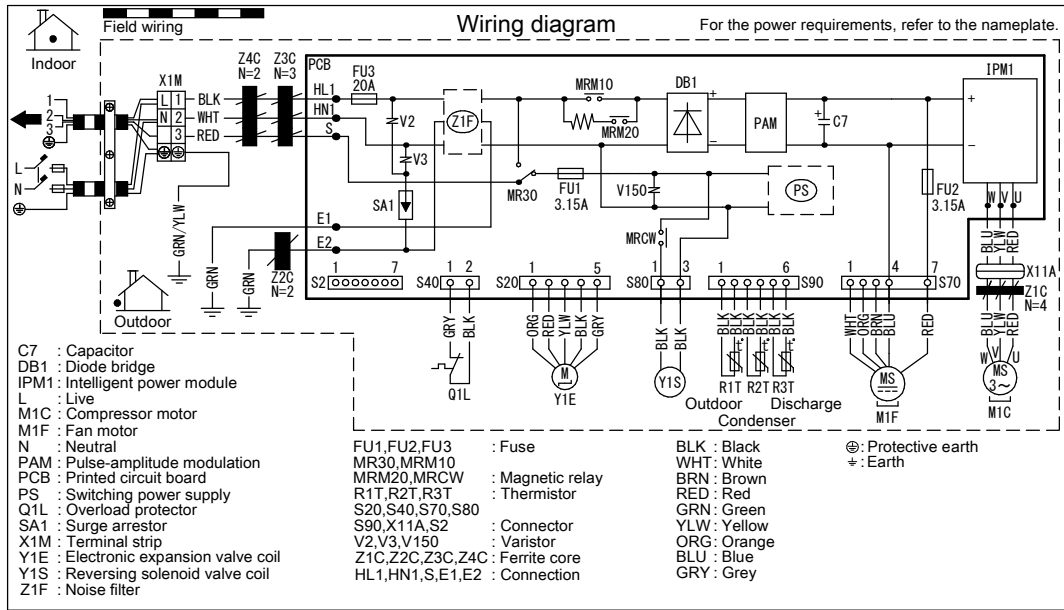


RXJ20-35M



Notes

Size: 140 x 80

Refer to purchasing specification AS303002, unless otherwise specified.